

# Ovalo Chain Pendant Cluster

boyd



Shown in Satin Brass

# Ovalo Chain Pendant Cluster

## MODEL #'S 10770, 10771

Square tubes of hand-finished brass form obround loops connected in a chain link which illuminates from within satin white diffusers. Cluster these chains together to form large installations as a focal piece for your project. Made-to-order by hand in Colorado.

## MATERIALS

Brass.

## FINISHES

Satin Brass, Antiqued Boyd Brass, Blackened Brass, Satin Nickel.

## LAMPING

LED, 150 WATTS, 120-277V, 2700K and 3000k, 90+ CRI, ~ 11,000 Fixture Lumens. Lamps included with fixture.

## DIMENSIONS

24" links - 83" H x 15" W

HOA - 96" - 132" (244 - 335 cm)

36" links - 120" H x 15" W

HOA - 132" - 168" (335 - 427 cm)

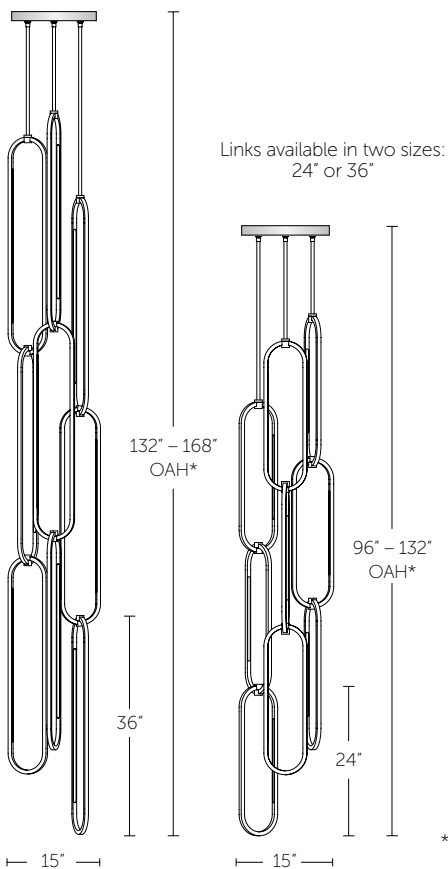
## WEIGHT

35 lbs.

41 lbs.

## NOTES

- Canopy: 16" D x 1½" H (40.6 x 3.8 cm)
- UL listed (or equivalent) for damp locations
- 0-10V Dimming Optional



\* Please specify overall height