

Robert Ferraroni



MT-03

Monolithic stainless steel and brass coffee table for indoor use. Unlimited edition, standard sizes. Base is meticulously crafted in a premium grade stainless steel transformed by CNC forming and traditional patination techniques. Top available in a high luster brass or stainless steel.

Dimensions:

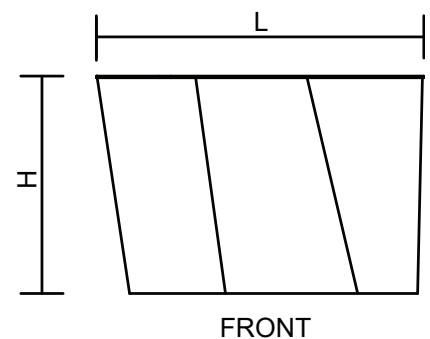
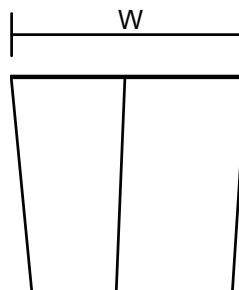
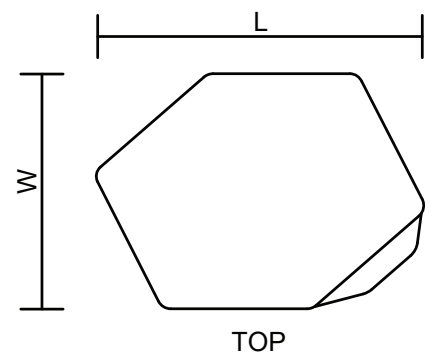
23.5" L x 17" W x 16" H

Top:

- Aurum Brass
- Mercury Stainless
- Graphite Stainless (shown in Aurum Brass)

Base:

- Mercury Stainless
- Graphite Stainless



Rob@ferradesigns.com
Tel 718 852 8629

DENNIS MILLER ASSOCIATES

200 Lexington Avenue Suite 1210 New York, NY 10016
212.684.0070 Fax.212.684.0776 www.dennismiller.com

Robert Ferraroni

MT-03

Monolithic stainless steel and brass coffee table for indoor use. Unlimited edition, standard sizes. Base is meticulously crafted in a premium grade stainless steel transformed by CNC forming and traditional patination techniques. Top available in a high luster brass or stainless steel.

Dimensions:

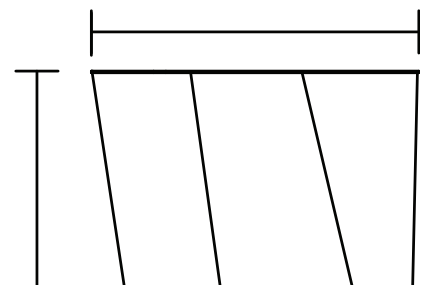
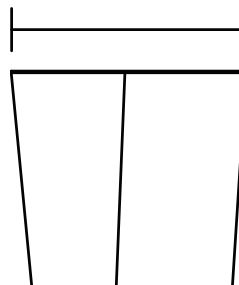
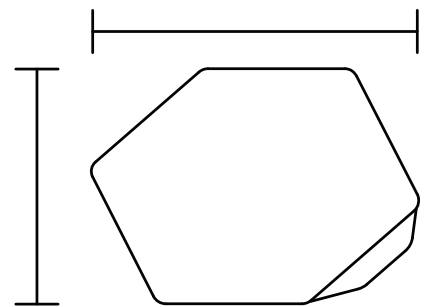
23.5" L x 17" W x 16" H

Top:

- Aurum Brass
- Mercury Stainless
- Graphite Stainless (shown in Graphite Stainless)

Base:

- Mercury Stainless
- Graphite Stainless



Robert Ferraroni



MT-03

Monolithic stainless steel and brass coffee table for indoor use. Unlimited edition, standard sizes. Base is meticulously crafted in a premium grade stainless steel transformed by CNC forming and traditional patination techniques. Top available in a high luster brass or stainless steel.

Dimensions:

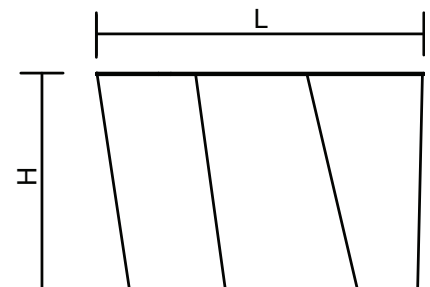
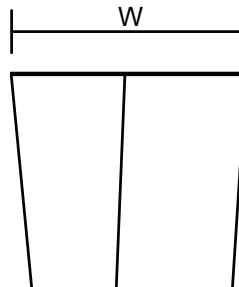
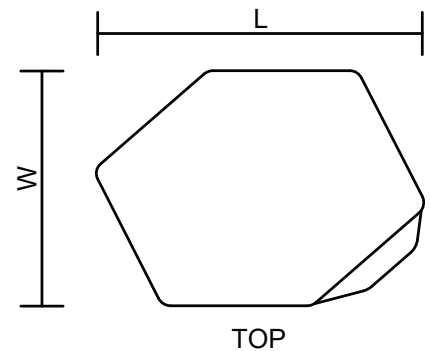
23.5" L x 17" W x 16" H

Top:

- Aurum Brass
- Mercury Stainless
- Graphite Stainless (shown in Mercury Stainless)

Base:

- Mercury Stainless
- Graphite Stainless



Rob@ferradesigns.com
Tel 718 852 8629