



Shown: 48" model in Deep bronze anodized finish and Opal white glass.

# Wing Linear Suspension

## MODEL NUMBER

4520

## DESCRIPTION

Anodized aluminum frame with cut glass and polished aluminum reflectors. Cable Suspension.

## FINISH

Deep bronze anodized or Silver anodized.

## KILN FORMED GLASS

Clear or Opal white.

## DIMENSIONS MIN OAL NET WT

4520.48  
24"W x 48"L x 2"H 24" Min. OAL 20 lbs.

4520.60  
24"W x 60"L x 2"H 24" Min. OAL 25 lbs.

4520.72  
24"W x 72"L x 2"H 24" Min. OAL 30 lbs.

## CEILING PLATE

4.5"Ø x .25"D

## VOLTAGE / LAMP TYPE - OPTION A

120V, 25W, G9, Halogen lamps. 2,000 hour lamp life. Strong output, dimmable.

\*Requires high output dimmer.

4520.48 600W (24 x 25W).

4520.60 750W\* (30 x 25W).

4520.72 900W\* (36 x 25W).

*Energy efficient LED option available upon request.*

## VOLTAGE / LAMP TYPE - OPTION B

12V, 5W, T 3-1/4, Xenon lamps. 20,000 hour lamp life. Ambient output, dimmable.

Requires low voltage transformer.

4520.48 120W (24 x 5W).

4520.60 150W (30 x 5W).

4520.72 180W (36 x 5W).

*Energy efficient LED option available upon request.*

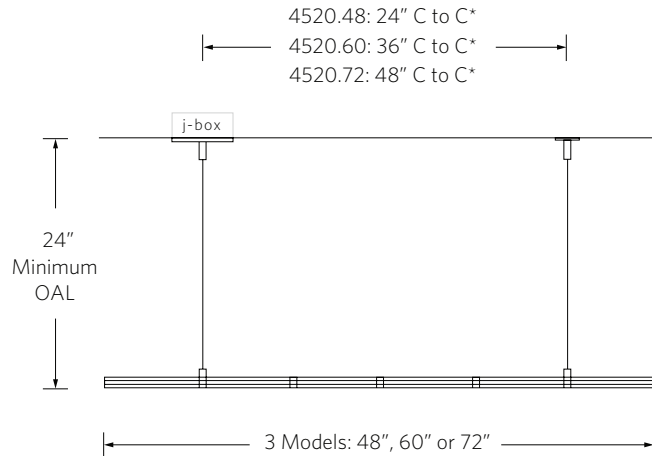
## PLEASE SPECIFY

Size, finish, glass color, voltage/lamp type option A or B, & OAL (net price includes cable for an OAL of up to 48"). Refer to price book for additional cable length. OAL can be adjusted in the field at installation.

## NOTE

\*J-box is located off-center.

## SIDE VIEW



## END VIEW

