



Shown: 30"Ø model in Satin nickel and Opal white glass, with silver reflectors.

Vellum Suspension

McEwen Lighting Studio TEL 510.849.4000
 2748 9th Street FAX 510.849.4006
 Berkeley, CA 94710 mcewenlighting.com

MODEL NUMBER

1820

DESCRIPTION

Fabricated Lucite frame, clad in cut glass on sides and bottom. Interior reflectors of polished aluminum. Copper ceiling plate and hardware. Cable suspension.

DIMENSIONS

Available in 7 sizes. Note height to diameter ratio.

FINISH

Deep brown oxide or Satin nickel.
 Reflectors: Silver, Gold or Copper.

KILN FORMED GLASS

Opal white, or Seeded Opal.

PLEASE SPECIFY

Finish, reflector color, glass color, suspension option & OAL (net price includes cable for an OAL of up to 48"). Refer to price book for additional cable length. OAL can be adjusted in the field at installation.

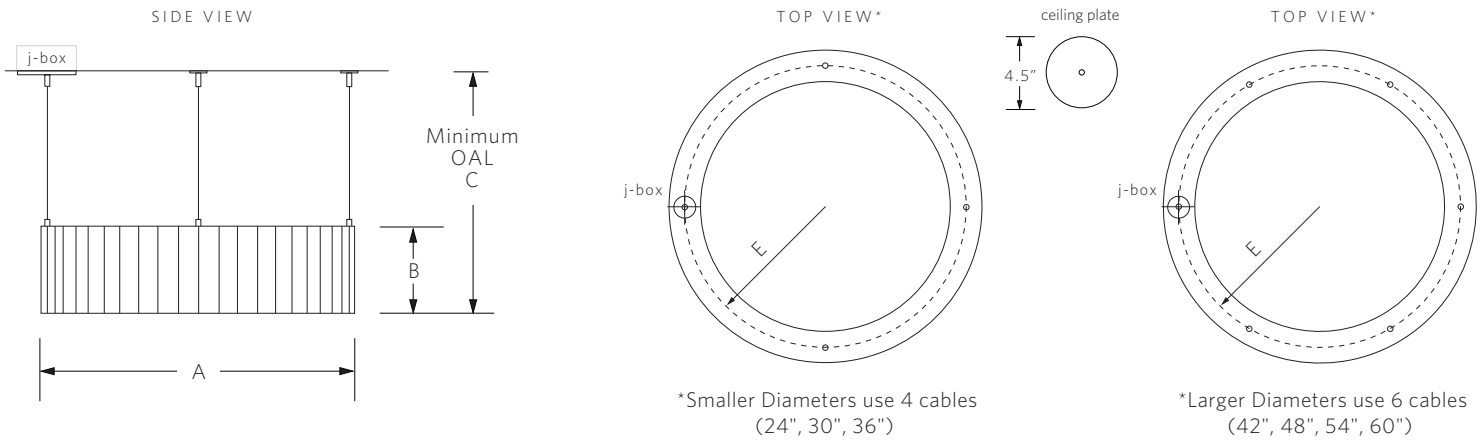
VOLTAGE / LAMP TYPE

G9 base, halogen lamp, clear.

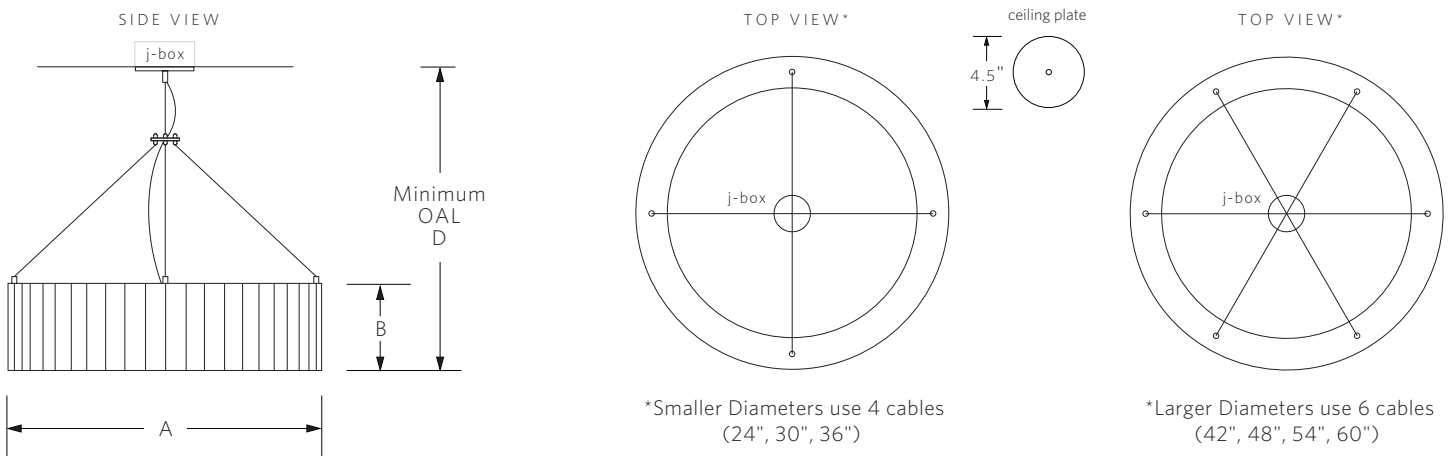
1820.24	120V, 200W (8 x 25W)
1820.30	120V, 400W (16 x 25W)
1820.36	120V, 400W (16 x 25W)
1820.42	120V, 600W (24 x 25W)
1820.48	120V, 600W (24 x 25W)
1820.54	120V, 600W (24 x 25W)
1820.60	120V, 600W (24 x 25W)

Energy efficient LED option available upon request.

Suspension Option 1 - 4 or 6 individual cables for off-center j-box



Suspension Option 2 - 4 or 6 cables joined to 1, for center j-box



Model	A	B	C	D	E	Weight
Vellum 1820.24	24"	6"	12"	24"	10.75"	44 lbs.
Vellum 1820.30	30"	8"	16"	36"	13.75"	55 lbs.
Vellum 1820.36	36"	8"	16"	42"	16.75"	60 lbs.
Vellum 1820.42	42"	10"	18"	48"	19.75"	90 lbs.
Vellum 1820.48	48"	10"	18"	54"	22.75"	105 lbs.
Vellum 1820.54	54"	12"	20"	60"	25.75"	120 lbs.
Vellum 1820.60	60"	12"	20"	66"	28.75"	150 lbs.

Note: For suspension option 1, j-box can be located at any point along radius path E (see table and illustration above). 3 (or 5) appropriate ceiling anchors must be installed for remaining cables. Anchors must be sufficient to support 25% of fixture weight. For suspension option 2, j-box must be blocked sufficiently to support full fixture weights.