



Shown: 24"Ø model in Deep brown oxide and Opal white glass.

Sonus Suspension

MODEL NUMBER

1620

DESCRIPTION

Fabricated Lucite frame clad in cut glass. Copper ceiling plate and hardware. Cable suspension.

FINISH

Deep brown oxide or Satin nickel.

KILN FORMED GLASS

Clear, Opal white, Seeded Opal, Pale gold or Sand.

DIMENSIONS MIN OAL NET WT

1620.16
16"Ø x 16"H 32" Min. OAL 35 lbs.
Ceiling Plate: 4.5"Ø x .25"D

1620.18
18"Ø x 18"H 36" Min. OAL 45 lbs.
Ceiling Plate: 4.5"Ø x .25"D

1620.20
20"Ø x 20"H 40" Min. OAL 55 lbs.
Ceiling Plate: 4.5"Ø x .25"D

1620.24
24"Ø x 24"H 48" Min. OAL 75 lbs.
Ceiling Plate: 4.5"Ø x .25"D

VOLTAGE / LAMP TYPE

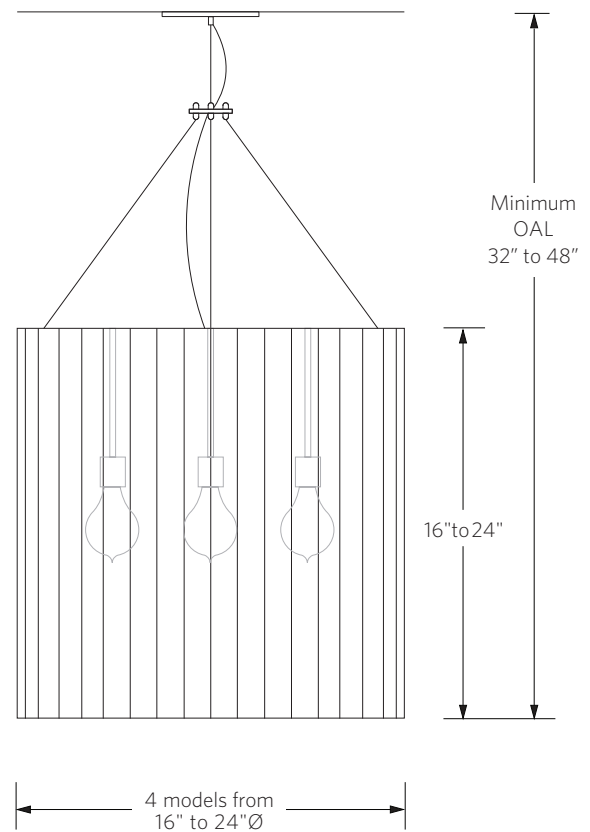
120V, 240W (4 x 60W), E26 base, vintage Edison lamp, clear.

Energy efficient LED option available upon request.

PLEASE SPECIFY

Size, finish, glass color & OAL (net price includes cable for an OAL of up to 48"). Refer to price book for additional cable length. OAL can be adjusted in the field at installation.

SIDE VIEW



TOP VIEW

