

# JIUN HO

LIGHT

Reims Single Arm Sconce



# JIUN HO

## REIMS SINGLE ARM SCONCE

LT-WL-III

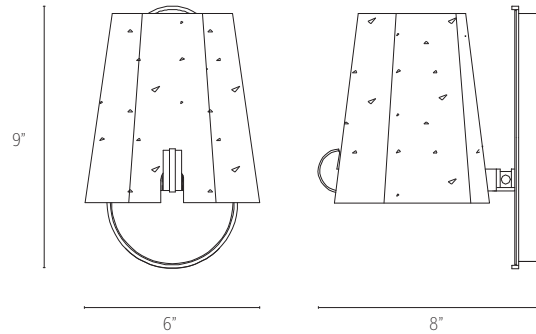
W 6" (152mm) D 8" (203mm) H 9" (229mm)

### WALL PLATE

W 4.5" (114mm) H 9" (229mm)

**ELECTRICAL** 1 x G8 4W Halogen Lamp

**SHADE** Crystal Glass



### FINISH (SHOWN)

Brushed Bronze

### OTHER INFORMATION

UL approved (or equivalent)

Bulbs not included

For more information and finishes, visit our website



## DENNIS MILLER ASSOCIATES

200 Lexington Avenue Suite 1210 New York, NY 10016

212.684.0070 Fax.212.684.0776 [www.dennismiller.com](http://www.dennismiller.com)