



Shown: 42"Ø model in Silver anodized and clear glass.

**MODEL NUMBER**

4420

**DESCRIPTION**

Anodized aluminum frame with cut glass facets.  
Internal silver reflectors of polished aluminum.  
Cable suspension.

**FINISH**

Deep bronze anodized or Silver anodized.

**KILN FORMED GLASS**

Bronze, Clear, Opal white or Pale gold.

**DIMENSIONS**

Available in 8 sizes. Note number of polygon segments. Ceiling Plate is 4.5"Ø x .25"D

**PLEASE SPECIFY**

Size, finish, glass color and OAL. Please select suspension type:

Option 1 (straight cables; off center j-box), or

Option 2 (angled cables; center j-box).

Minimum OAL varies with suspension option (see table below).

**VOLTAGE / LAMP TYPE**

24V, LED, 2,400°K, 96 CRI, 36,000 hrs. (Clear and Bronze).

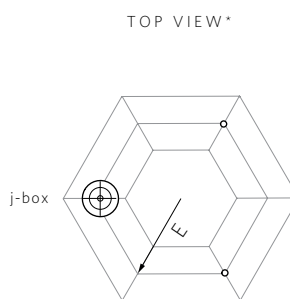
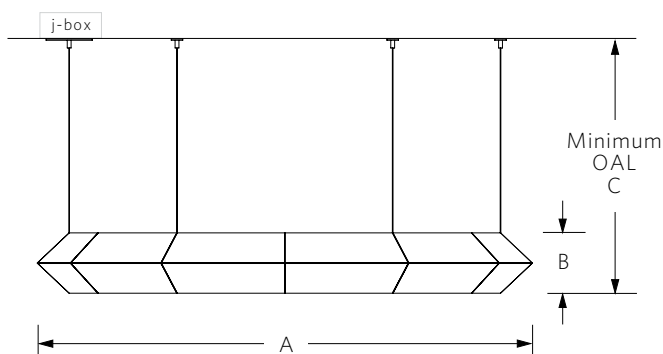
24V, LED, 2,700°K, 96 CRI, 36,000 hrs. (Opal white and Pale gold).

*Note: Dimmable driver (supplied) must be hidden in remote location. Recommend magnetic low voltage dimmer (Lutron SLV-600P or similar).*

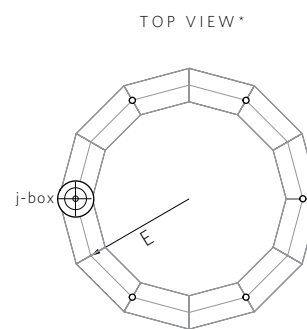
*Integrated, dimmable driver available upon request.*

See specific LED specs for each model in table below.

**Suspension Option 1 - 3, 4 or 6 individual cables for off-center j-box**

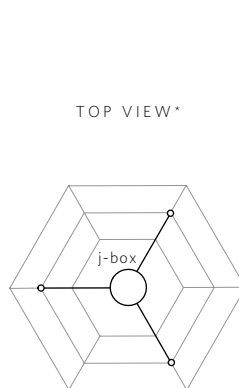
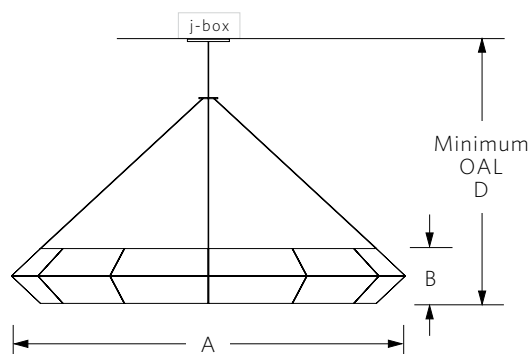


\*Smaller Diameters use 3 cables (24", 30", 36")

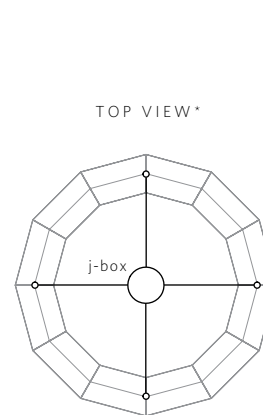


\*Larger Diameters use 4 or 6 cables (42", 48", 54", 60", 72")

**Suspension Option 2 - 3,4 or 6 cables joined to 1, for center j-box**



\*Smaller Diameters use 3 cables (24", 30", 36")



\*Larger Diameters use 4 or 6 cables (42", 48", 54", 60", 72")

Prism Suspension	Polygon segments / Number of cables	A	B	C	D	E	Net Wt	Voltage / Lamping
Model: 4420.24.6	6 sided / 3 cables	24"	6"	10"	16"	8.75"	24 lbs.	24V, 40W, LED, 2,400-2,700°K*, 96 CRI, 2,992 lumens.
Model: 4420.30.6	6 sided / 3 cables	30"	6"	10"	18"	11.75"	28 lbs.	24V, 70W, LED, 2,400-2,700°K*, 96 CRI, 5,236 lumens.
Model: 4420.36.6	6 sided / 3 cables	36"	6"	10"	20"	14.75"	34 lbs.	24V, 100W, LED, 2,400-2,700°K*, 96 CRI, 7,480 lumens.
Model: 4420.42.12	12 sided / 4 cables	42"	6"	10"	24"	17.875"	42 lbs.	24V, 120W, LED, 2,400-2,700°K*, 96 CRI, 8,976 lumens.
Model: 4420.48.12	12 sided / 6 cables	48"	6"	10"	26"	21"	48 lbs.	24V, 140W, LED, 2,400-2,700°K*, 96 CRI, 10,472 lumens.
Model: 4420.54.12	12 sided / 6 cables	54"	6"	10"	30"	24"	54 lbs.	24V, 180W, LED, 2,400-2,700°K*, 96 CRI, 13,464 lumens.
Model: 4420.60.12	12 sided / 6 cables	60"	6"	10"	32"	27"	60 lbs.	24V, 200W, LED, 2,400-2,700°K*, 96 CRI, 14,960 lumens.
Model: 4420.72.12	12 sided / 6 cable	72"	6"	10"	38"	33"	70 lbs.	24V, 260W, LED, 2,400-2,700°K*, 96 CRI, 19,448 lumens.

Note: For suspension option 1, j-box can be located at any point along radius path E (see table and illustration above). 2, 3 or 5 appropriate ceiling anchors must be installed for remaining cables. Anchors must be sufficient to support 25% of fixture weight. For suspension option 2, j-box must be blocked sufficiently to support full fixture weights.

\*2,400°K LED used with Clear and Bronze. 2,700°K LED used with Opal white and Pale gold.

**DENNIS MILLER ASSOCIATES**

200 Lexington Avenue Suite 1210 New York, NY 10016  
212.684.0070 Fax.212.684.0776 www.dennismiller.com