



OFFSET SIDE TABLE

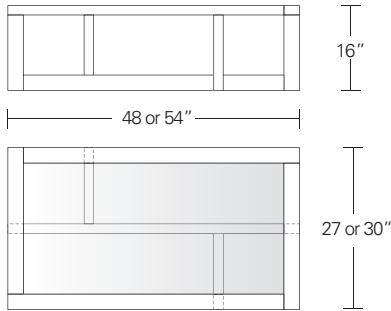
20W x 28D x 22H

Shown in Cered Burnt Ash with Grey Glass inset top.

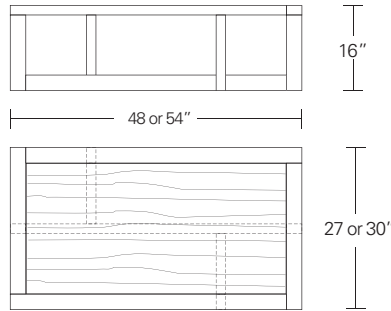
The asymmetrical yet balanced composition of the framework of this side table is the hallmark of the design. The Offset is available with an inset glass or wood top in a variety of standard finishes.



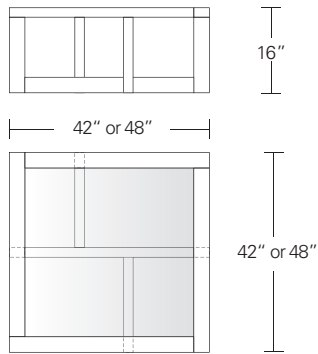
OFFSET COCKTAIL & SIDE TABLE



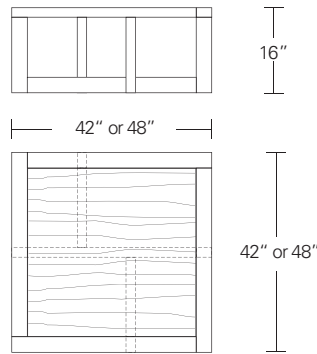
Rectangular Cocktail Table with inset glass top
 48"W x 27"D x 16"H
 54"W x 30"D x 16"H



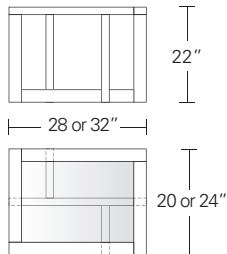
Rectangular Cocktail Table with wood top
 48"W x 27"D x 16"H
 54"W x 30"D x 16"H



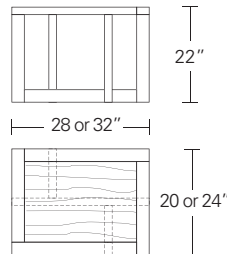
Square Cocktail Table with inset glass top
 42"W x 42"D x 16"H
 48"W x 48"D x 16"H



Square Cocktail Table with wood top
 42"W x 42"D x 16"H
 48"W x 48"D x 16"H



Side Table with inset glass top
 28"W x 20"D x 22"H
 32"W x 24"D x 22"H



Side Table with wood top
 28"W x 20"D x 22"H
 32"W x 24"D x 22"H

DESCRIPTION	FINISH OPTIONS		
	NATURAL	STAINED	CERUSED
<p>Offset Cocktail & Side Table: Inset glass top or veneer top with solid wood frame. Base with solid wood frame members.</p> <p>Standard Options: Grey or bronze glass top.</p> <p>Custom Orders: Custom sizes, woods, veneer patterns and finishes are available. Please request a price quotation.</p>	<p>Ash, Cherry, Mahogany, Maple, Walnut, Claro Toned Walnut, Oak.*</p> <p>*At additional cost.</p>	<p>Medium Ash, Dark Ash, Burnt Ash, Ebonized Ash, Medium Cherry, Dark Cherry, Medium Mahogany, Medium Walnut, Dark Walnut, Ebonized Walnut, Grey Walnut, Silver Walnut.</p>	<p>Bleached Ash, Cerused Ash, Cerused Burnt Ash, Cerused Dark Ash, Cerused Mahogany, Cerused Dark Mahogany, Bleached Walnut, Cerused Walnut, Cerused Grey Walnut, Cerused Silver Walnut, Cerused Oak*.</p>