



Shown: Deep brown oxide and Opal white glass.

MODEL NUMBER
2320

DESCRIPTION
Mold blown glass shade, copper ceiling plate and hardware.

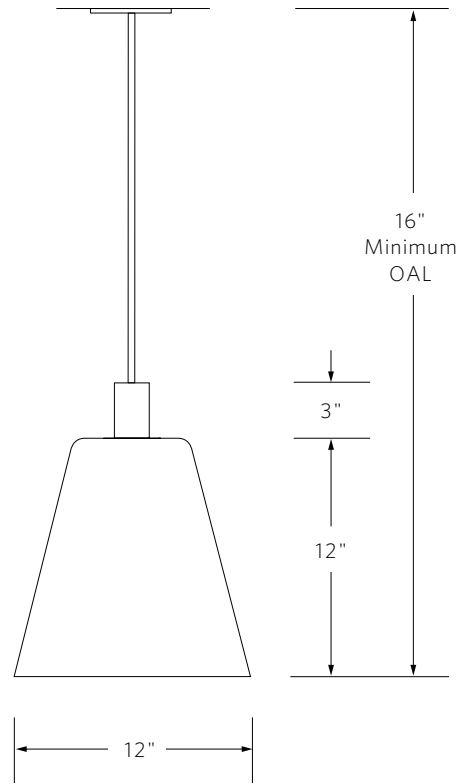
FINISH
Deep brown oxide or Satin nickel.

MOLD BLOWN GLASS
Opal white or Helbeige.
(Inside and outside acid etch).

DIMENSIONS	MIN OAL	NET WT
12"Ø x 15"H	16" Min. OAL	15 lbs.
Ceiling Plate: 4.5"Ø x .25"D		
Shade: 12"Ø x 12"H		

VOLTAGE / LAMP TYPE
120V, 100W, E26 base, G40 lamp, white.
Energy efficient LED option available upon request.

PLEASE SPECIFY
Finish, shade color & OAL (net price includes stem for an OAL of up to 48"). Refer to price book for additional stem length. Stem OAL cannot be adjusted in the field at installation.



Ceiling plate

