



Shown: 42"Ø model in Silver anodized and clear glass.

MODEL NUMBER
4420

DESCRIPTION
Anodized aluminum frame with cut glass facets.
Internal silver reflectors of polished aluminum.
Cable suspension.

FINISH
Deep bronze anodized or Silver anodized.

KILN FORMED GLASS
Bronze, Clear, Opal white or Pale gold.

DIMENSIONS
Available in 8 sizes. Note number of polygon segments. Ceiling Plate is 4.5"Ø x .25"D

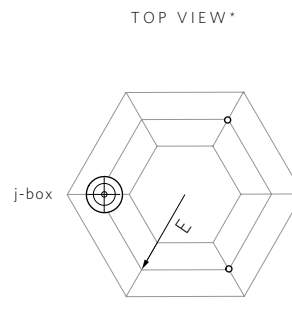
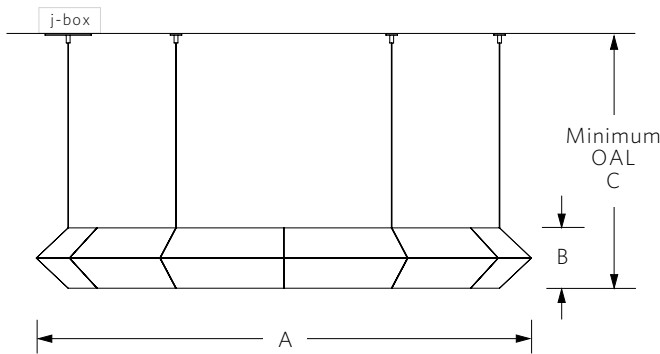
PLEASE SPECIFY
Size, finish, glass color and OAL. Please select suspension type:
Option 1 (straight cables; off center j-box), or
Option 2 (angled cables; center j-box).

Minimum OAL varies with suspension option (see table below).

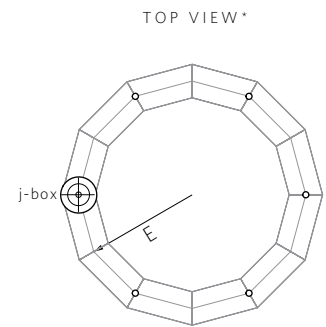
VOLTAGE / LAMP TYPE
24V, LED, 2,400°K, 96 CRI, 36,000 hrs. (Clear and Bronze).
24V, LED, 2,700°K, 96 CRI, 36,000 hrs. (Opal white and Pale gold).
Note: Dimmable driver (supplied) must be hidden in remote location. Recommend magnetic low voltage dimmer (Lutron SLV-600P or similar). Integrated, dimmable driver available upon request.

See specific LED specs for each model in table below.

Suspension Option 1 - 3, 4 or 6 individual cables for off-center j-box

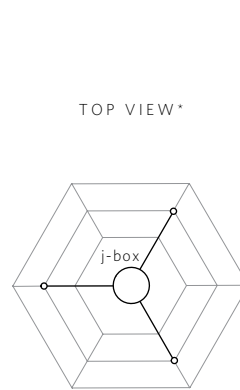
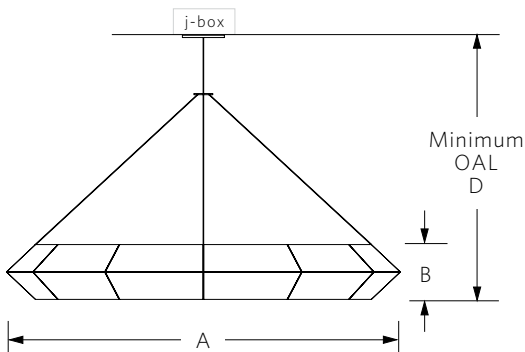


*Smaller Diameters use 3 cables (24", 30", 36")

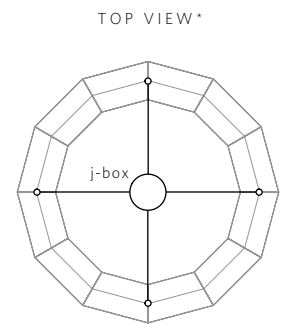
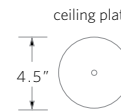


*Larger Diameters use 4 or 6 cables (42", 48", 54", 60", 72")

Suspension Option 2 - 3,4 or 6 cables joined to 1, for center j-box



*Smaller Diameters use 3 cables (24", 30", 36")



*Larger Diameters use 4 or 6 cables (42", 48", 54", 60", 72")

Prism Suspension	Polygon segments / Number of cables	A	B	C	D	E	Net Wt	Voltage / Lamping
Model: 4420.24.6	6 sided / 3 cables	24"	6"	10"	16"	8.75"	24 lbs.	24V, 40W, LED, 2,400-2,700°K*, 96 CRI, 2,992 lumens.
Model: 4420.30.6	6 sided / 3 cables	30"	6"	10"	18"	11.75"	28 lbs.	24V, 70W, LED, 2,400-2,700°K*, 96 CRI, 5,236 lumens.
Model: 4420.36.6	6 sided / 3 cables	36"	6"	10"	20"	14.75"	34 lbs.	24V, 100W, LED, 2,400-2,700°K*, 96 CRI, 7,480 lumens.
Model: 4420.42.12	12 sided / 4 cables	42"	6"	10"	24"	17.875"	42 lbs.	24V, 120W, LED, 2,400-2,700°K*, 96 CRI, 8,976 lumens.
Model: 4420.48.12	12 sided / 6 cables	48"	6"	10"	26"	21"	48 lbs.	24V, 140W, LED, 2,400-2,700°K*, 96 CRI, 10,472 lumens.
Model: 4420.54.12	12 sided / 6 cables	54"	6"	10"	30"	24"	54 lbs.	24V, 180W, LED, 2,400-2,700°K*, 96 CRI, 13,464 lumens.
Model: 4420.60.12	12 sided / 6 cables	60"	6"	10"	32"	27"	60 lbs.	24V, 200W, LED, 2,400-2,700°K*, 96 CRI, 14,960 lumens.
Model: 4420.72.12	12 sided / 6 cable	72"	6"	10"	38"	33"	70 lbs.	24V, 260W, LED, 2,400-2,700°K*, 96 CRI, 19,448 lumens.

Note: For suspension option 1, j-box can be located at any point along radius path E (see table and illustration above). 2, 3 or 5 appropriate ceiling anchors must be installed for remaining cables. Anchors must be sufficient to support 25% of fixture weight. For suspension option 2, j-box must be blocked sufficiently to support full fixture weights.

*2,400°K LED used with Clear and Bronze. 2,700°K LED used with Opal white and Pale gold.