



Shown: 60" model lined with Gold glass.

**MODEL NUMBER**  
1020

**DESCRIPTION**  
Czech, English cut, clear glass beads, trapped in stainless wire cloth, lined with glass. Cable or rigid stem suspension.

**FINISH**  
Satin nickel.

**SHADE**  
Clear glass beads. Interior lining: Opal white or Gold glass.

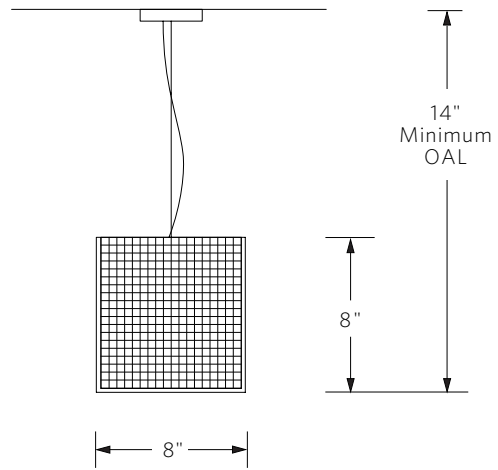
DIMENSIONS	MIN OAL	NET WT
1020.8 8"W x 8"L x 8"H Ceiling Plate: 4.5"Ø x 1"D	14" Min. OAL	10 lbs.
1020.10 10"W x 10"L x 15"H Ceiling Plate: 4.5"Ø x 1"D	20" Min. OAL	27 lbs.
1020.36 10"W x 36"L x 15"H Ceiling Plate: 4.5"Ø x .25"D	20" Min. OAL	45 lbs.
1020.42 10"W x 42"L x 15"H Ceiling Plate: 4.5"Ø x .25"D	20" Min. OAL	55 lbs.
1020.48 10"W x 48"L x 15"H Ceiling Plate: 4.5"Ø x .25"D	20" Min. OAL	60 lbs.
1020.54 10"W x 54"L x 15"H Ceiling Plate: 4.5"Ø x .25"D	20" Min. OAL	65 lbs.
1020.60 10"W x 60"L x 15"H Ceiling Plate: 4.5"Ø x .25"D	20" Min. OAL	75 lbs.

**VOLTAGE / LAMP TYPE**

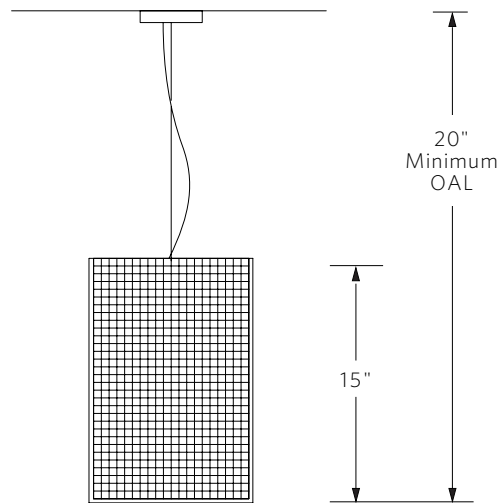
1020.8	120V, 60W, E12 base, T3 Xenon lamp, clear.
1020.10	120V, 100W, E26 base, A19 lamp, clear.
1020.36	120V, 500W, (5 x 100w) E26 base, A19 lamp, clear.
1020.42	120V, 600W, (6 x 100w) E26 base, A19 lamp, clear.
1020.48	120V, 700W, (7 x 100w) E26 base, A19 lamp, clear.
1020.54	120V, 800W, (8 x 100w) E26 base, A19 lamp, clear.
1020.60	120V, 900W, (9 x 100w) E26 base, A19 lamp, clear.

Energy efficient LED option available upon request.

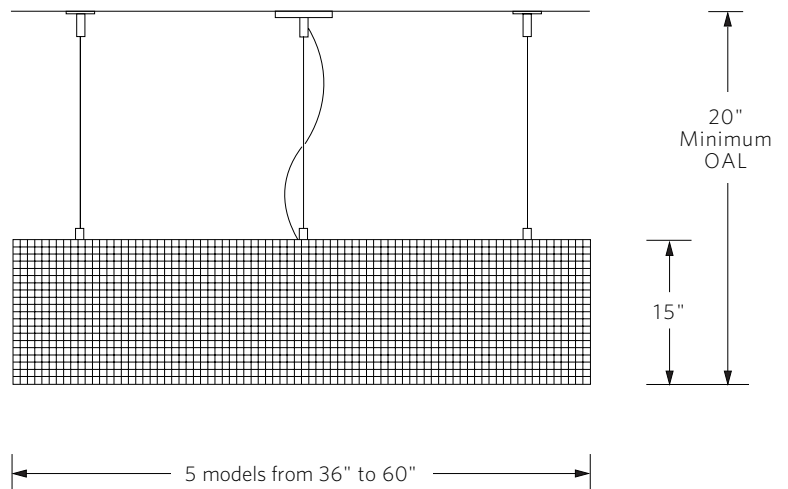
**PLEASE SPECIFY**  
Glass color, cable or rigid stem suspension & OAL (net price includes cable/stem for an OAL of up to 48"). Refer to price book for additional cable/stem length. Cable OAL can be adjusted in the field at installation.



Model 1020.8



Model 1020.10



Models 1020.36, 1020.42, 1020.48, 1020.54, 1020.60