



Shown: 42"Ø model in Satin nickel and Opal white glass.

**MODEL NUMBER**  
4020

**DESCRIPTION**  
Suspended ring of corrugated copper, lined with kiln formed glass. Cable suspension.

**FINISH**  
Deep brown oxide, Deep black oxide, Japanese, Natural Brass or Satin nickel.

**KILN FORMED GLASS**  
Clear or Opal white

**DIMENSIONS**  
Available in 7 sizes. Note height to diameter ratio.

**CEILING PLATE**  
4.5"Ø x .25"D

**PLEASE SPECIFY**  
Size, finish, glass color, OAL & voltage/lamp type option. Please select suspension type: Option 1 (straight cables; off-center j-box), or Option 2, (angled cables; center j-box). Minimum OAL varies with suspension option (see table below). Please note: 4020.18 only available in Voltage option A, and suspension option 2.

**VOLTAGE / LAMP TYPE**  
**Option A**  
120V, 25W, G9, Halogen lamps. 2,000 hour lamp life. Strong output, dimmable.

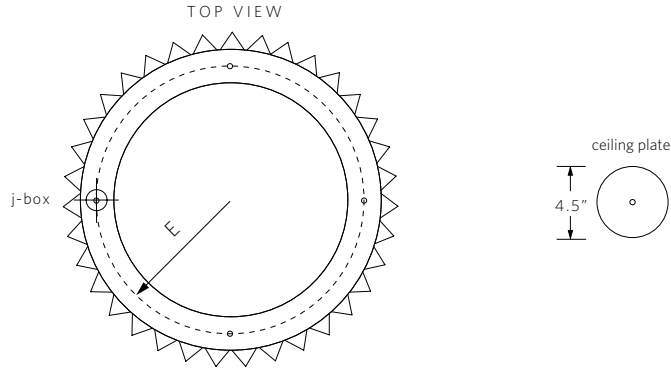
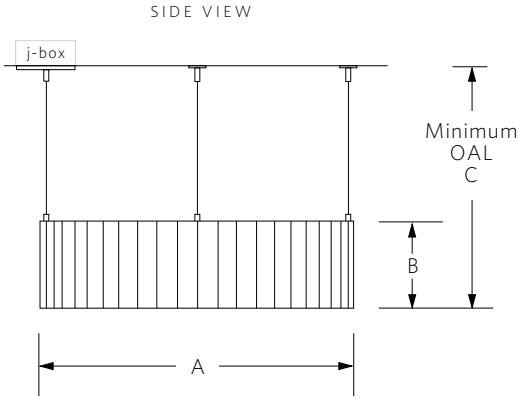
**Option B**  
12V, 5W, T 3-1/4, Xenon lamps. 20,000 hour lamp life. Ambient output, dimmable. Requires low voltage transformer.

See specific voltage/lamp type for each model below.

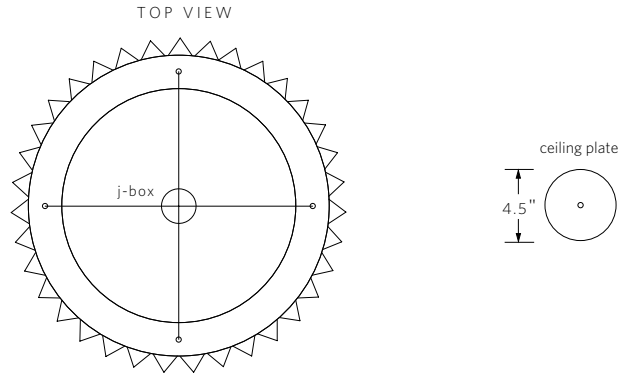
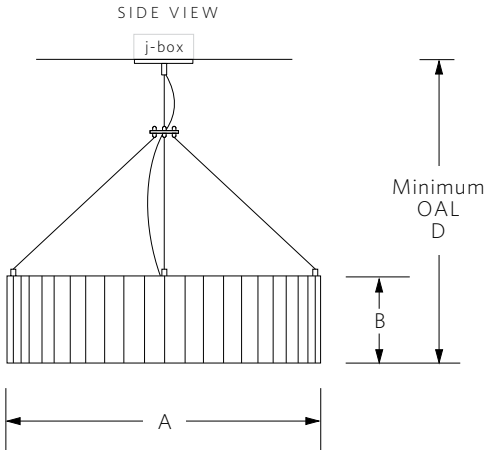
*Energy efficient LED option available upon request.*

**DENNIS MILLER ASSOCIATES**  
200 Lexington Avenue Suite 1210 New York, NY 10016  
212.684.0070 Fax.212.684.0776 www.dennismiller.com

**Suspension Option 1** - 4 individual cables for off-center j-box



**Suspension Option 2** - 4 cables joined to 1, for center j-box



Model	A	B	C	D	E	Net Wt	Voltage/Lamp Option A	Voltage/Lamp Option B
Gear Suspension 4020.18	18"	5"	N/A	18"	7.625"	12 lbs.	300W (12 x 25W) Halogen	N/A
Gear Suspension 4020.24	24"	6"	12"	24"	10.5"	15 lbs.	500W (20 x 25W) Halogen	100W (20 x 5W) Xenon
Gear Suspension 4020.30	30"	7"	13"	30"	13.5"	21 lbs.	600W (24 x 25W) Halogen	120W (24 x 5W) Xenon
Gear Suspension 4020.36	36"	8"	14"	36"	16.625"	30 lbs.	800W (32 x 25W) Halogen*	160W (32 x 5W) Xenon
Gear Suspension 4020.42	42"	9"	15"	42"	19.5"	40 lbs.	900W (36 x 25W) Halogen*	180W (36 x 5W) Xenon
Gear Suspension 4020.48	48"	10"	16"	48"	22.5"	46 lbs.	1100W (44 x 25W) Halogen*	220W (44 x 5W) Xenon
Gear Suspension 4020.54	54"	11"	17"	54"	25.5"	50 lbs.	1200W (48 x 25W) Halogen*	240W (48 x 5W) Xenon

\*Requires high output dimmer

Note: For suspension option 1, j-box can be located at any point along radius path E (see table and illustration above). Three appropriate ceiling anchors must be installed on remaining intersections. Anchors must be sufficient to support 25% of fixture weight. For suspension Option 2, j-box must be blocked sufficiently to support full fixture weight.