



Shown: 10.5" model in Deep brown oxide and Opal white glass.

Hex Lantern Surface Mount

MODEL NUMBER

2110

DESCRIPTION

Square cut, perforated copper body, lined with flat glass. Hand forged copper ceiling plate & hardware. Cast link suspension.

FINISH

Deep brown oxide or Satin nickel.

KILN FORMED GLASS

Clear, Opal white, Pale gold, Sand, Seeded opal, or Tabac.

DIMENSIONS

NET WT

2110.9.5

6.5"W x 12" fixed height

6 lbs.

Ceiling plate: 4.5"W x 5"L x .375"D, hexagonal.

2110.10.5

10.5"W x 13" fixed height

10 lbs.

Ceiling plate: 4.5"W x 5"L x .375"D, hexagonal.

2110.15.5

10.5"W x 18" fixed height

14 lbs.

Ceiling plate: 4.5"W x 5"L x .375"D, hexagonal.

VOLTAGE / LAMP TYPE

2110.9.5 120V, 60W, E12 base, B8 torpedo lamp, frosted.

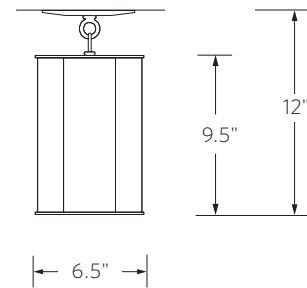
2110.10.5 120V, 100W, E26 base, A19 lamp, frosted.

2110.15.5 120V, 100W, E26 base, A19 lamp, frosted.

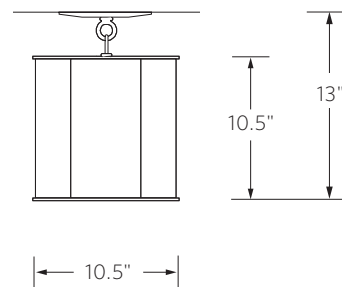
Energy efficient LED option available upon request.

PLEASE SPECIFY

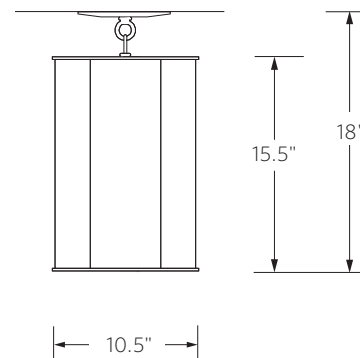
Size, finish, and shade color.



Model 2110.9.5



Model 2110.10.5



Model 2110.15.5