



Shown: 6.5" model in Deep brown oxide and Helbeige glass.

Hall Wall

MODEL NUMBER

2440

DESCRIPTION

Copper body, mold blown glass shade.

FINISH

Deep brown oxide or Satin nickel.

MOLD BLOWN GLASS

Helbeige, Nile green, Opal white or Tabac
(Inside acid etch).

DIMENSIONS

2440.6.5

4.125"W x 6.5"H x 5.25"D
Back plate: 4.125"W x 6.5"H
Shade: 3.375"Ø x 5"H

NET WT

4 lbs.

2440.9.5

7"W x 9.5"H x 8.125"D
Back plate: 7"W x 9.5"H
Shade: 6"Ø x 8"H

10 lbs.

2440.12

4"W x 12"H x 3.375"D
Back plate: 4"W x 12"H
Shade: 2.5"Ø x 8.25"H

? lbs.

VOLTAGE / LAMP TYPE

120V, 60W, E12 base, T3, Xenon, frosted.

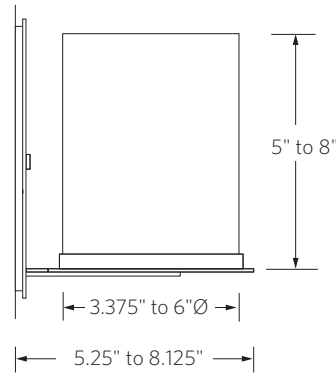
Energy efficient LED option available upon request.

PLEASE SPECIFY

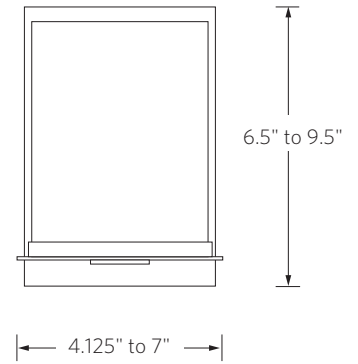
Size, finish & shade color.

Back plate centers on j-box.

SIDE VIEW

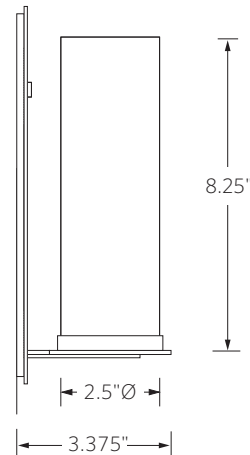


FRONT VIEW

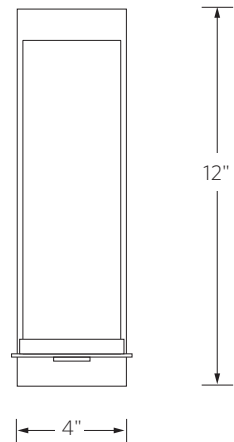


Model 2440.6.5 and 2440.9.5

SIDE VIEW



FRONT VIEW



Model 2440.12