



Shown: 42"Ø model in Satin nickel and Opal white glass.

Gear Suspension

McEwen Lighting Studio TEL 510.849.4000
 2748 9th Street FAX 510.849.4006
 Berkeley, CA 94710 mcewenlighting.com

MODEL NUMBER
4020

DESCRIPTION
Suspended ring of corrugated copper, lined with kiln formed glass. Cable suspension.

FINISH
Deep brown oxide, Japanesque or Satin nickel.

KILN FORMED GLASS
Clear or Opal white

DIMENSIONS
Available in 7 sizes. Note height to diameter ratio.

CEILING PLATE
4.5"Ø x .25"D

PLEASE SPECIFY
Size, finish, glass color, OAL & voltage/lamp type option. Please select suspension type: Option 1 (straight cables; off-center j-box), or Option 2, (angled cables; center j-box). Minimum OAL varies with suspension option (see table below). Please note: 4020.18 only available in Voltage option A, and suspension option 2.

VOLTAGE / LAMP TYPE

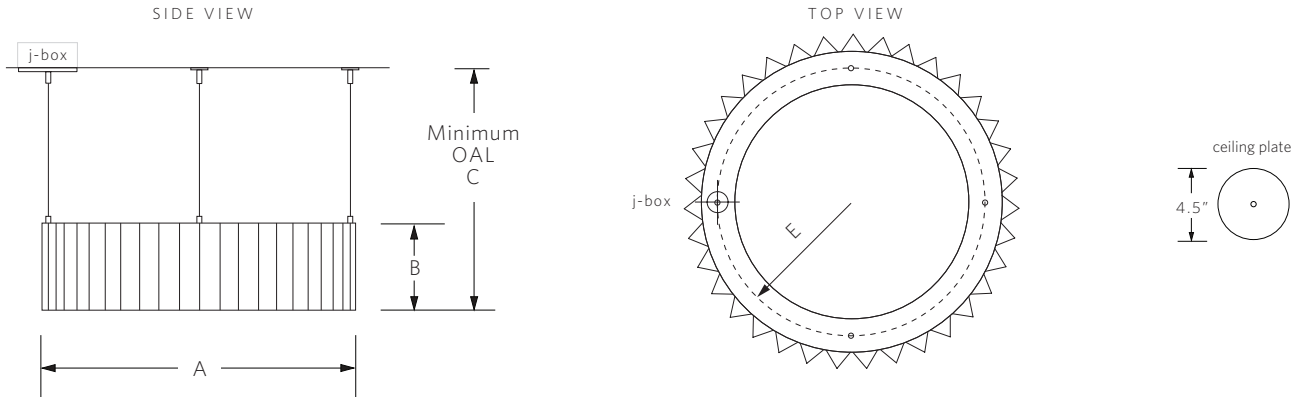
Option A
120V, 25W, G9, Halogen lamps. 2,000 hour lamp life. Strong output, dimmable.

Option B
12V, 5W, T 3-1/4, Xenon lamps. 20,000 hour lamp life. Ambient output, dimmable. Requires low voltage transformer.

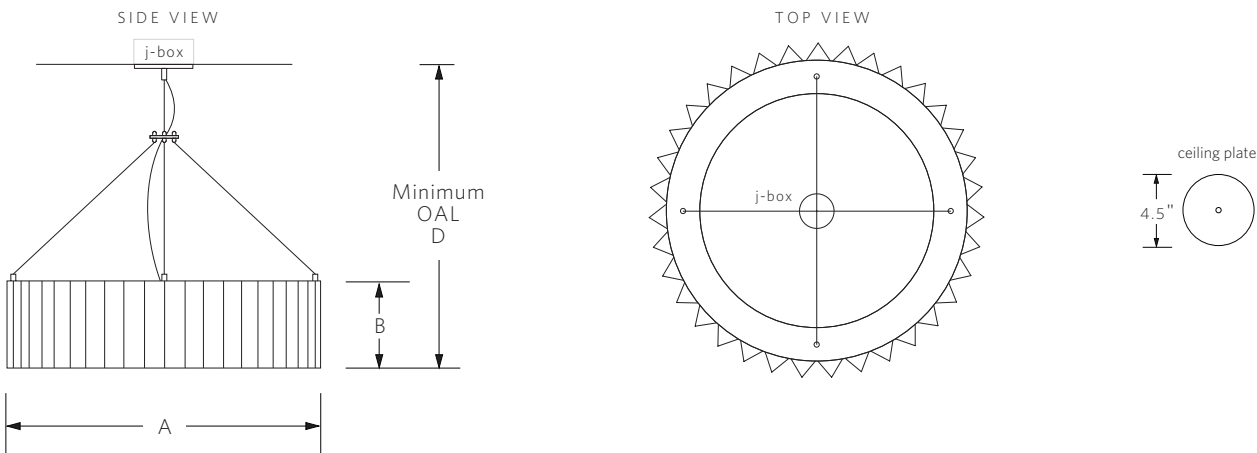
See specific voltage/lamp type for each model below.

Energy efficient LED option available upon request.

Suspension Option 1 - 4 individual cables for off-center j-box



Suspension Option 2 - 4 cables joined to 1, for center j-box



Model	A	B	C	D	E	Net Wt	Voltage/Lamp Option A	Voltage/Lamp Option B
Gear Suspension 4020.18	18"	5"	N/A	18"	7.625"	12 lbs.	300W (12 x 25W) Halogen	N/A
Gear Suspension 4020.24	24"	6"	12"	24"	10.5"	15 lbs.	500W (20 x 25W) Halogen	100W (20 x 5W) Xenon
Gear Suspension 4020.30	30"	7"	13"	30"	13.5"	21 lbs.	600W (24 x 25W) Halogen	120W (24 x 5W) Xenon
Gear Suspension 4020.36	36"	8"	14"	36"	16.625"	30 lbs.	800W (32 x 25W) Halogen*	160W (32 x 5W) Xenon
Gear Suspension 4020.42	42"	9"	15"	42"	19.5"	40 lbs.	900W (36 x 25W) Halogen*	180W (36 x 5W) Xenon
Gear Suspension 4020.48	48"	10"	16"	48"	22.5"	46 lbs.	1100W (44 x 25W) Halogen*	220W (44 x 5W) Xenon
Gear Suspension 4020.54	54"	11"	17"	54"	25.5"	50 lbs.	1200W (48 x 25W) Halogen*	240W (48 x 5W) Xenon

*Requires high output dimmer

Note: For suspension option 1, j-box can be located at any point along radius path E (see table and illustration above). Three appropriate ceiling anchors must be installed on remaining intersections. Anchors must be sufficient to support 25% of fixture weight. For suspension Option 2, j-box must be blocked sufficiently to support full fixture weight.