



Bar Stool



Counter Stool

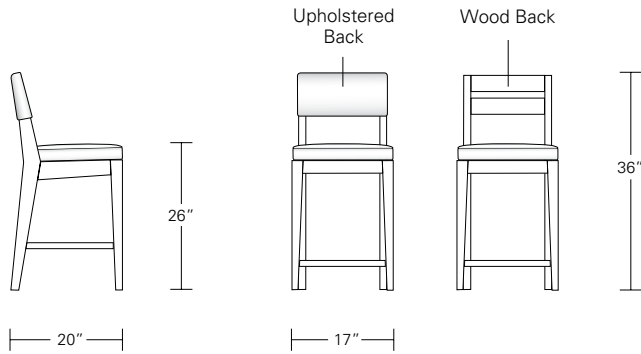


**CHEVRON BAR AND COUNTER STOOL**

21W x 22D x 40/45H

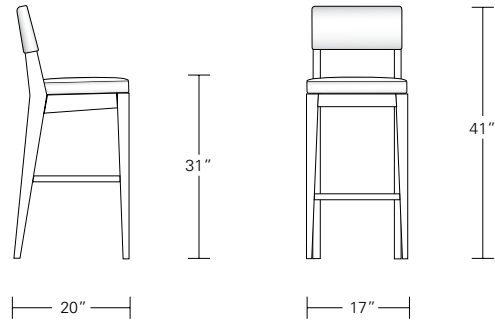
Shown in Grey Walnut in COL.

With their tapered, angular legs, softly-profiled backs and brushed aluminum footrests, these full-sized stools echo mid-century design. They are available in counter and bar heights. Swivel option available.



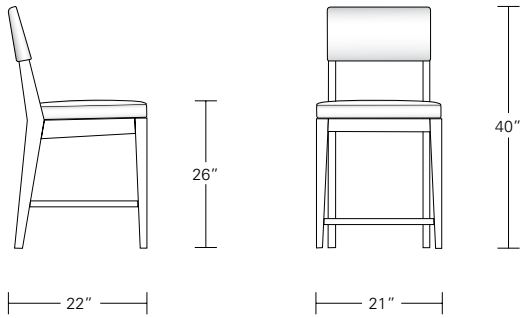
**Cadet Counter Stool**

17"W x 20"D x 36"H



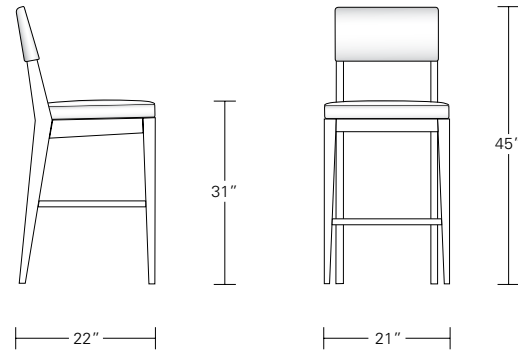
**Cadet Bar Stool**

17"W x 20"D x 41"H



**Chevron Counter Stool**

21"W x 22"D x 40"H



**Chevron Bar Stool**

21"W x 22"D x 45"H

DESCRIPTION		FINISH OPTIONS		
<p><b>Cadet &amp; Chevron Stool:</b> Solid wood frame with upholstered seat. Brushed aluminum toe rail on stool.</p> <p><b>Standard Options:</b> COM or COL. Upholstered or wood seat. Seat with top stitching. Swivel seat.</p> <p><b>Custom Orders:</b> Custom sizes, woods and finishes are available. Please request a price quotation.</p>	<p><b>Standard Finishes</b></p>	<p><b>NATURAL</b></p> <p>Ash, Cherry, Mahogany, Maple, Walnut, Claro Toned Walnut, Oak.*</p> <p>*At additional cost.</p>	<p><b>STAINED</b></p> <p>Medium Ash, Dark Ash, Burnt Ash, Ebonyzed Ash, Medium Cherry, Dark Cherry, Medium Mahogany, Medium Walnut, Dark Walnut, Ebonyzed Walnut, Grey Walnut, Silver Walnut.</p>	<p><b>CERUSED</b></p> <p>Bleached Ash, Cerused Ash, Cerused Burnt Ash, Cerused Dark Ash, Cerused Mahogany, Cerused Dark Mahogany, Bleached Walnut, Cerused Walnut, Cerused Grey Walnut, Cerused Silver Walnut, Cerused Oak*.</p>
		<p><b>FABRIC AND LEATHER REQUIREMENTS</b></p> <p><b>COM:</b> 1 yard for stool with upholstered back, 3/4 yard for stool with wood back. 54" wide plain fabric. Repeats and fabric less than 54" wide may require additional yardage.</p> <p><b>COL:</b> 18 sqft. for stool with upholstered back, 15 sqft. for stool with wood back. Hides need to be 50-55 square feet. Smaller hides may require additional square feet.</p>		