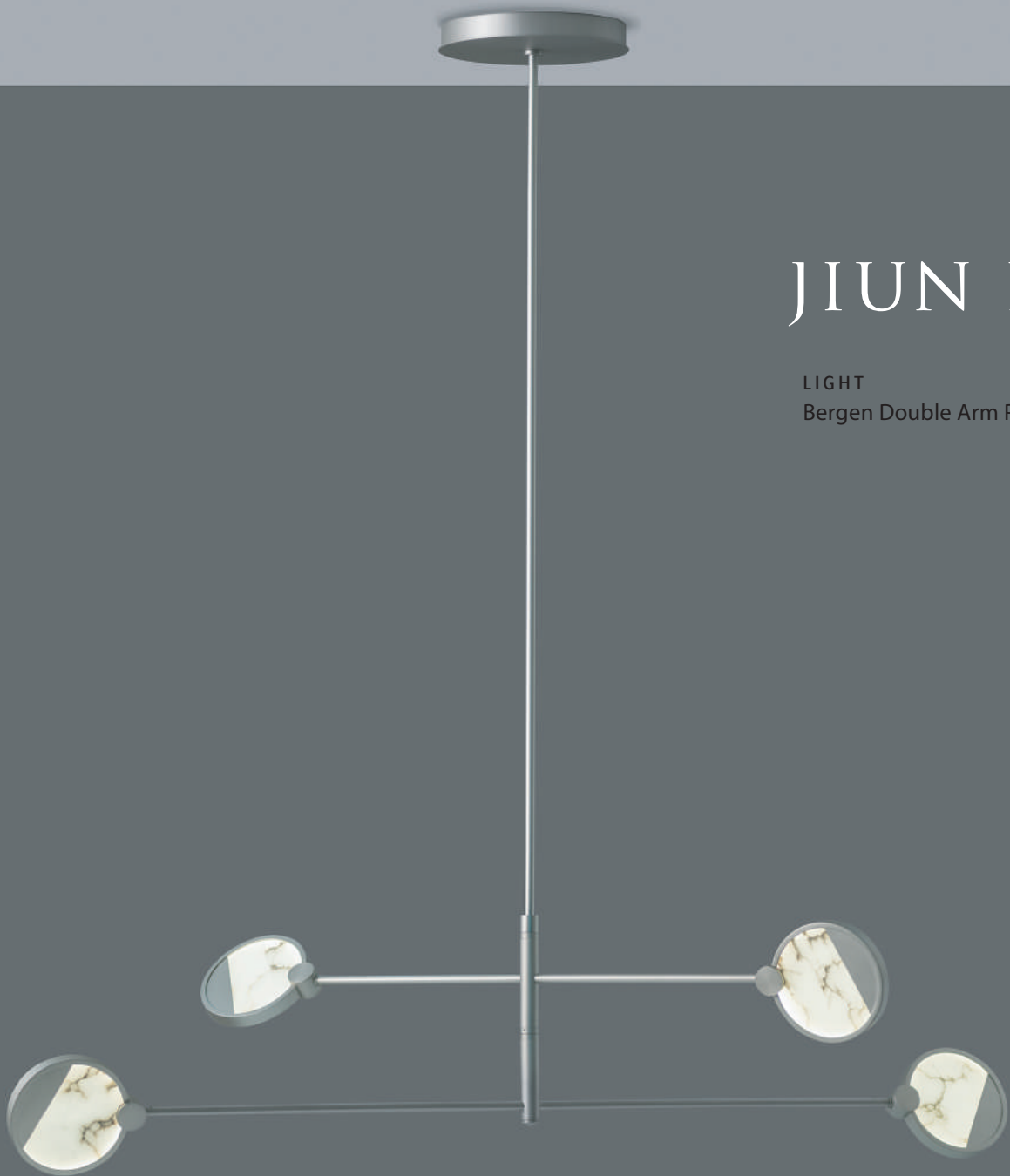


JIUN HO

LIGHT

Bergen Double Arm Pendant



JIUN HO

BERGEN DOUBLE ARM PENDANT

LT-PL-115-B

W 72" (1829mm) D 8" (203mm) H 14.25" (362mm)

CEILING PLATE

W 13" (330mm) H 1.5" (38mm)

ELECTRICAL 4 x dimmable LED 9.6 W/M 3000K

SHADE Alabaster & Acrylic

STD OVERALL HEIGHT

24" (610mm), 30" (762mm), 36" (914mm), 42" (1067mm), 48" (1219mm)

FINISH (SHOWN)

Satin Nickel

OTHER INFORMATION

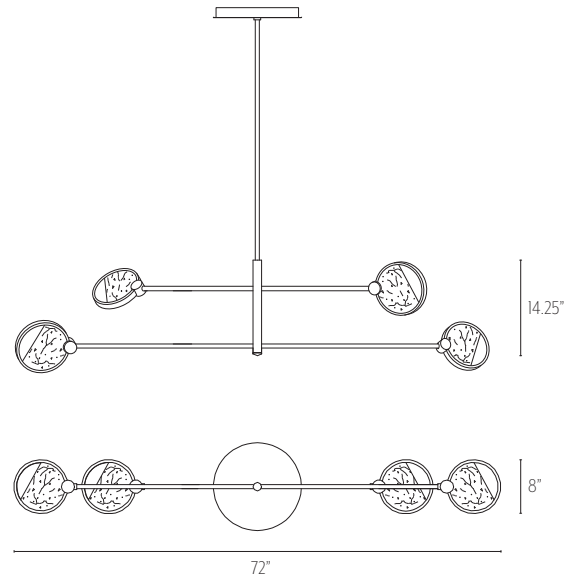
UL approved (or equivalent)

LED included with fixture

Standard dimmable driver included

For more information and finishes, visit our website

The arms are modular, designed to rotate 270 degrees,
and the shades pivot creating a mobile-like effect



DENNIS MILLER ASSOCIATES

200 Lexington Avenue Suite 1210 New York, NY 10016
212.684.0070 Fax.212.684.0776 www.dennismiller.com