



Shown: 6.75"Ø model in Deep brown oxide and Helbeige glass.

Ballad Surface Mount

MODEL NUMBER

2010

DESCRIPTION

Fixed height, surface mount. Mold blown glass shade with copper glass supports & ceiling plate.

FINISH

Deep brown oxide or Satin nickel.

MOLD BLOWN GLASS

Helbeige, Nile green, Opal white or Tabac.
(Inside acid etch).

DIMENSIONS

2010.4.5

4.5"Ø x 8.5" fixed height.

Ceiling Plate: 4.5"Ø x .25"D

NET WT

5 lbs.

2010.6.75

6.75"Ø x 12" fixed height.

Ceiling Plate: 4.5"Ø x .25"D

10 lbs.

2010.9

9"Ø x 16" fixed height.

Ceiling Plate: 4.5"Ø x .25"D

14 lbs.

VOLTAGE / LAMP TYPE

2010.4.5 120V, 60W, E12 base, B8 torpedo lamp,
frosted.

2010.6.75 120V, 100W, E26 base, A19 lamp, frosted.

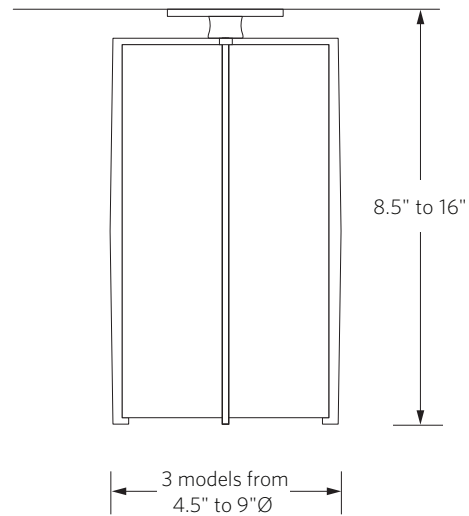
2010.9 120V, 100W, E26 base, A19 lamp, frosted.

Energy efficient LED option available upon request.

PLEASE SPECIFY

Size, finish & shade color.

SIDE VIEW



Ceiling plate

