

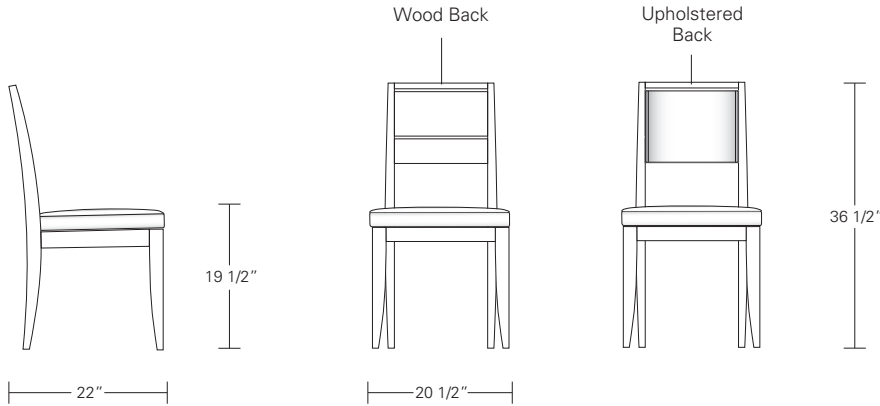


TRI ARC DINING CHAIR UPHOLSTERED BACK

Shown in Grey Walnut with COM.

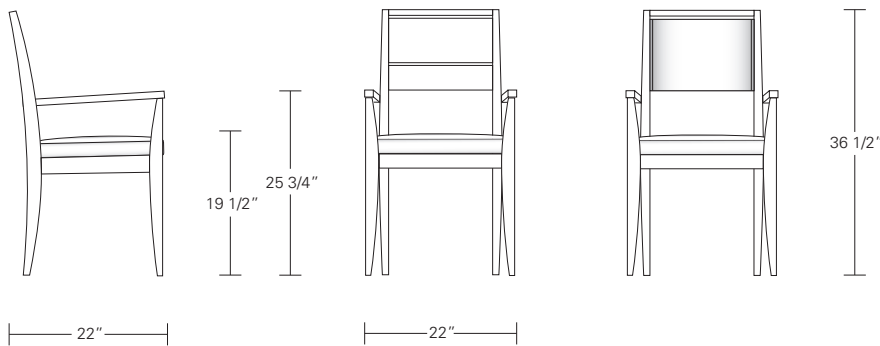
This namesake chair is composed of a series of elegant arcs. In the upholstered version, the top wood rail functions as a hand hold, which is especially useful to avoid contact with delicate fabrics. In the wood-back version, asymmetrical laddering offers a fresh twist.

SIDE: 20 1/2W x 22D x 36 1/2H
ARM: 22W x 22D x 36 1/2H



Tri Arc Side Chair

20 1/2"W x 22"D x 36 1/2"H



Tri Arc Arm Chair

22"W x 22"D x 36 1/2"H

DESCRIPTION	FINISH OPTIONS			
<p>Tri Arc Chair: Solid wood frame with upholstered seat.</p> <p>Standard Options: COM or COL. Wood or upholstered back.</p> <p>Custom Orders: Custom sizes, woods and finishes are available. Please request a price quotation.</p>		NATURAL	STAINED	CERUSED
	Standard Finishes	Ash, Cherry, Mahogany, Maple, Walnut, Oak.* *At additional cost.	Medium Ash, Dark Ash, Burnt Ash, Ebonized Ash, Medium Cherry, Dark Cherry, Medium Mahogany, Ebonized Maple, Medium Walnut, Dark Walnut, Grey Walnut.	Bleached Ash, Cerused Ash, Cerused Dark Ash, Cerused Mahogany, Cerused Dark Mahogany, Cerused Oak, Bleached Walnut, Cerused Walnut, Cerused Grey Walnut.
	FABRIC AND LEATHER REQUIREMENTS			
	<p>COM: 3/4 yard for arm chair or side chair. 54" wide plain fabric. Repeats and fabric less than 54" wide may require additional yardage.</p> <p>COL: 15 square feet for arm chair or side chair. Hides need to be 50-55 square feet. Smaller hides may require additional square feet.</p>			