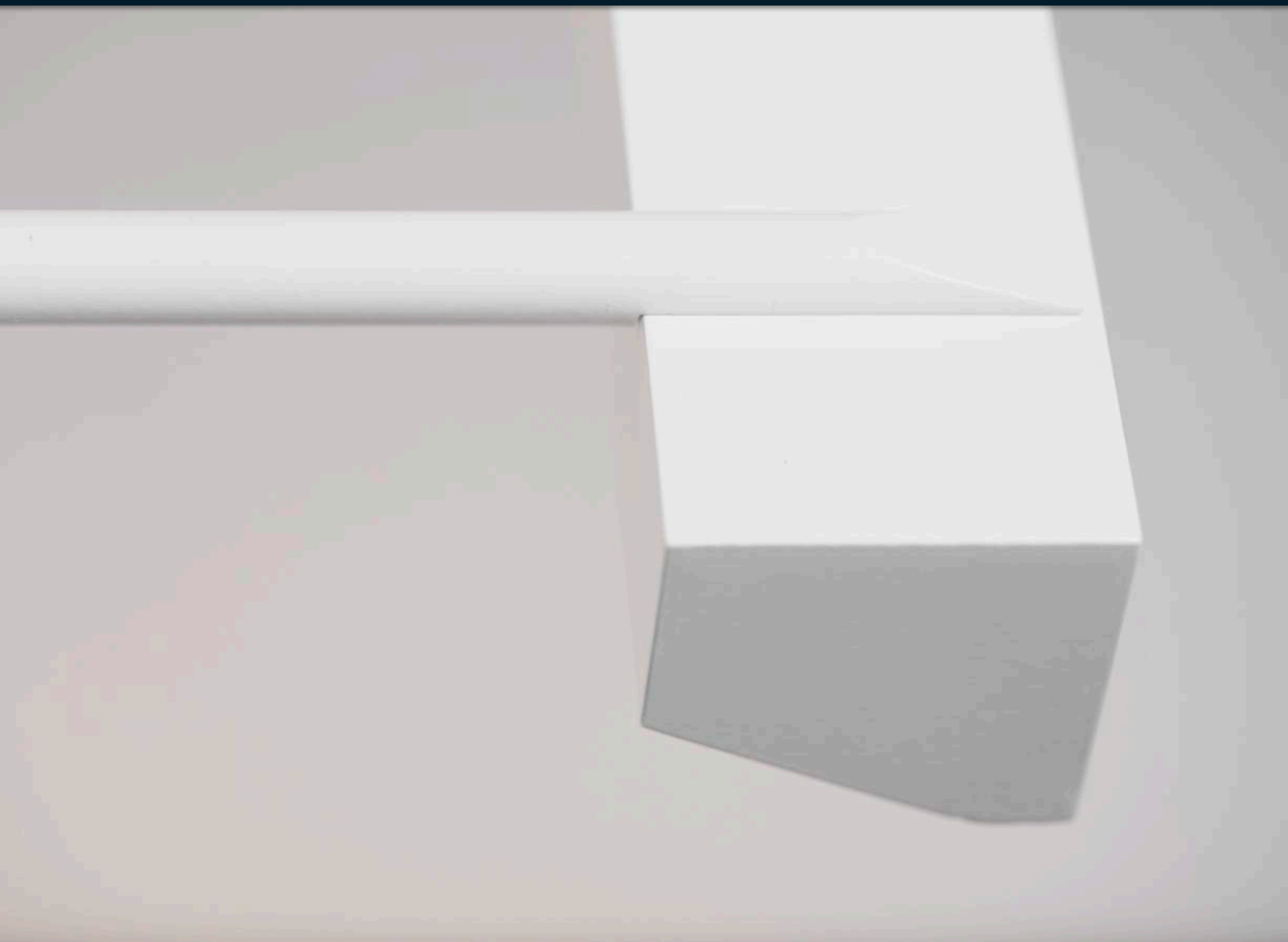




CHAMFER SERIES



PRODUCT INFO

Collection One Illuminates - Art Light Collection
 Product CHAMFER SERIES
 Lead Time 4 - 6 weeks standard sizes/finishes. Custom lead time 6 - 8 weeks.

SPECIFICATIONS

Weight 2': 6lbs, 3': 8lbs., 4': 10lbs.
 Materials Aluminum
 Labeling CE/UL
 Electrical/Voltage 110-volts. No driver required
 Dimming 0-100%
 Color Temperature 2400k or 2700k (select temp. on order)
 Accessories 4x4 J-Box Cover Plate

FINISHES (custom finishes available to-order)

Shade Oil-Rubbed Bronze, Ant. Brass, White/Black Powdercoat
 Stem/Backplate Oil-Rubbed Bronze, Ant. Brass, Chrome, White/Black Powdercoat



Antique Brass



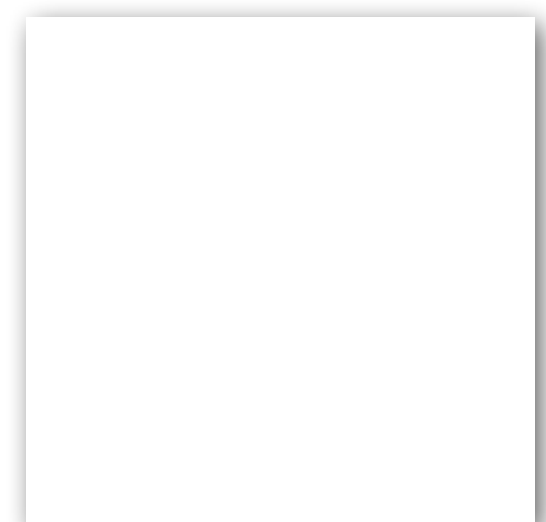
Oil-Rubbed Bronze



Polished Chrome



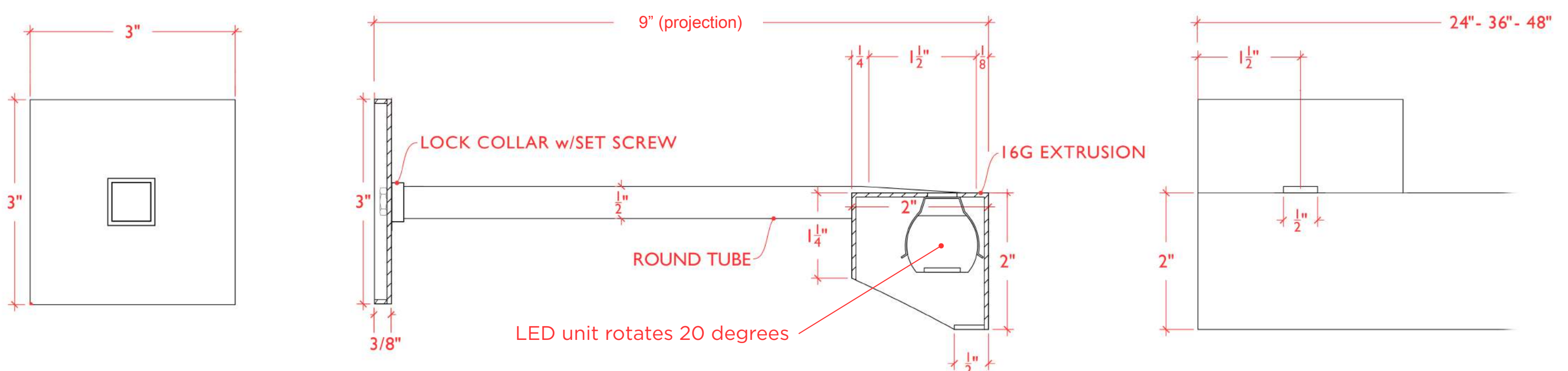
Black Powdercoat



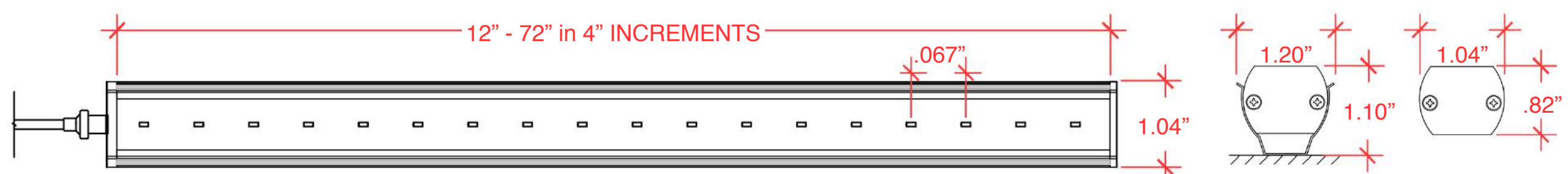
White Powdercoat

FIXTURE DIMENSIONS: (custom sizes available to-order)

Shade standard sizes: 24" - 36" - 48" Overall Shade Width (custom size to-order)
 Stem standard sizes: 9" Overall Projection from wall (custom size to-order)



LED DIMENSIONS





ANTIQUÉ BRASS / ANTIQUÉ BRASS



ANTIQUÉ BRASS / BLACK POWDERCOAT



POLISHED CHROME / WHITE POWDERCOAT



ANTIQUÉ BRASS / WHITE POWDERCOAT



BLACK / BLACK POWDERCOAT



BLACK / WHITE POWDERCOAT



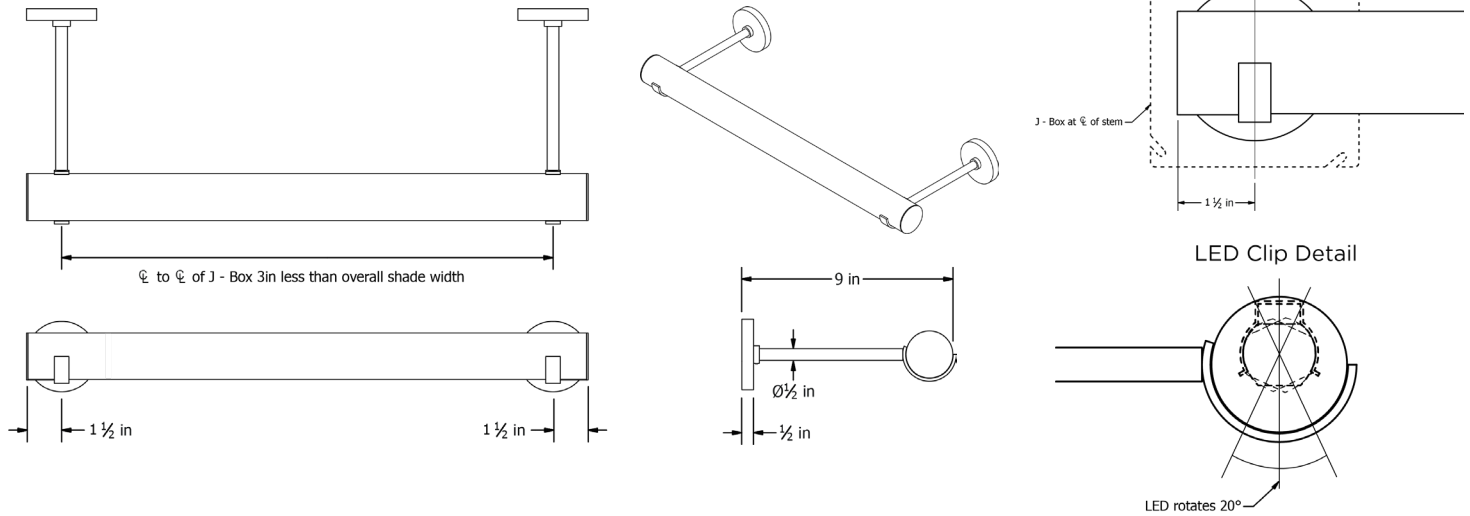
WHITE / WHITE POWDERCOAT



OIL-RUBBED BRONZE / OIL-RUBBED BRONZE

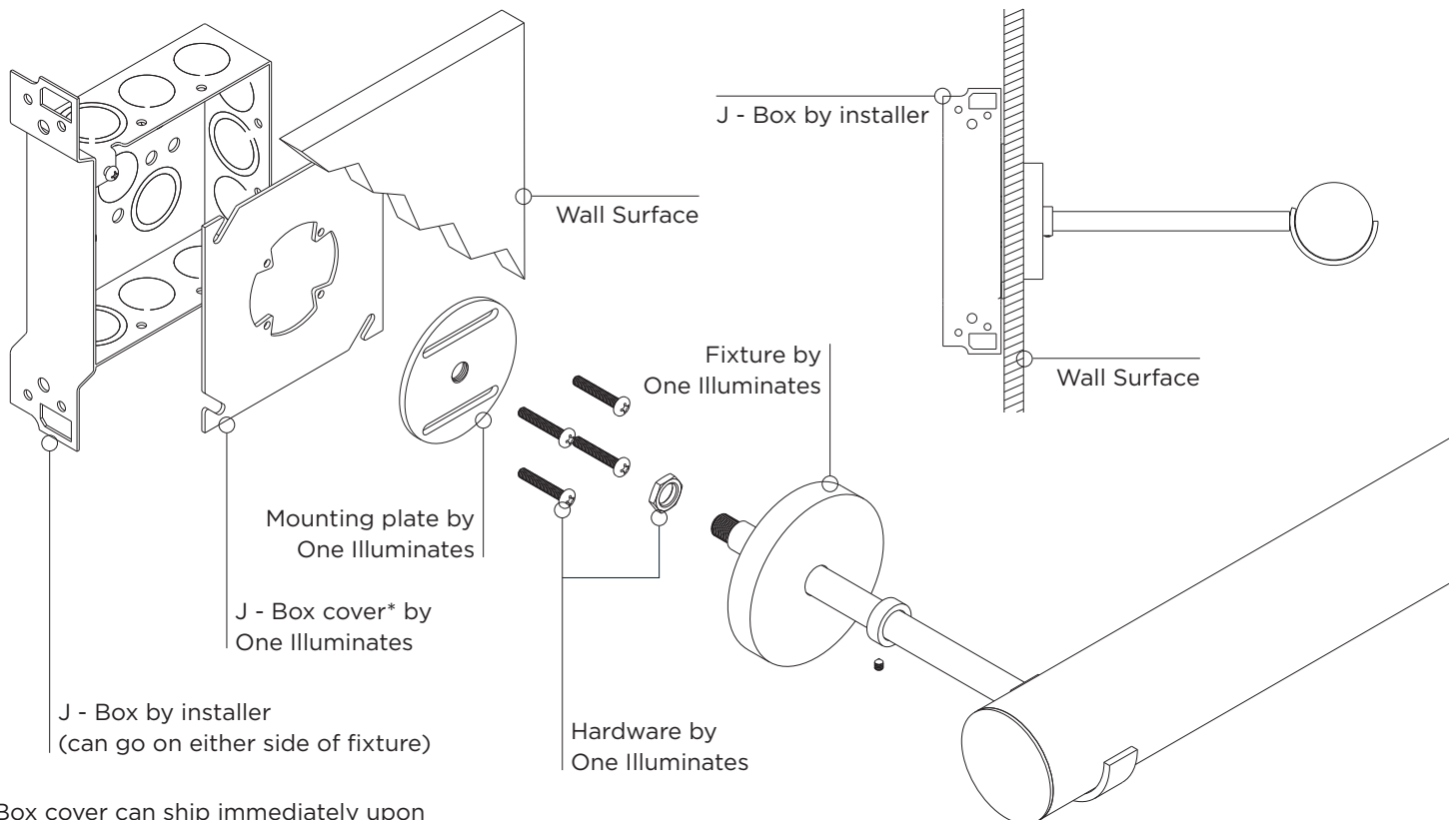
FIXTURE DIMENSIONS

Shade standard sizes 24", 36", 48" (overall shade width)
 Stem standard size 9" (overall projection from wall) [custom size to order]
 Custom shade sizes 16" up to 144" in 4" increments



Installation Guide

Section View



*J - Box cover can ship immediately upon purchase order for pre-installation