



Shown: 60"Ø model in Deep bronze anodized finish and Opal white glass.

MODEL NUMBER
4220

DESCRIPTION

Anodized aluminum frame with cut glass and polished aluminum reflectors. Cable Suspension.

FINISH

Deep bronze anodized or Silver anodized.

KILN FORMED GLASS

Clear or Opal white.

DIMENSIONS

	MIN OAL	NET WT
30"Ø x 2"H	12" Min. OAL	12 lbs.
36"Ø x 2"H	18" Min. OAL	14 lbs.
42"Ø x 2"H	24" Min. OAL	16 lbs.
48"Ø x 2"H	30" Min. OAL	18 lbs.
54"Ø x 2"H	36" Min. OAL	20 lbs.
60"Ø x 2"H	42" Min. OAL	28 lbs.
72"Ø x 2"H	48" Min. OAL	35 lbs.

CEILING PLATE

4.5"Ø x .25"D

VOLTAGE / LAMP TYPE

Integrated LED, 24V, 2,700°K, 98 CRI Ra / 93 CRI R9
94 TM30 Rf / 101 TM30 Rg. 30,000 hr.

120V to 24V dimmable driver included.

Must be located in remote cubby / crawl space.

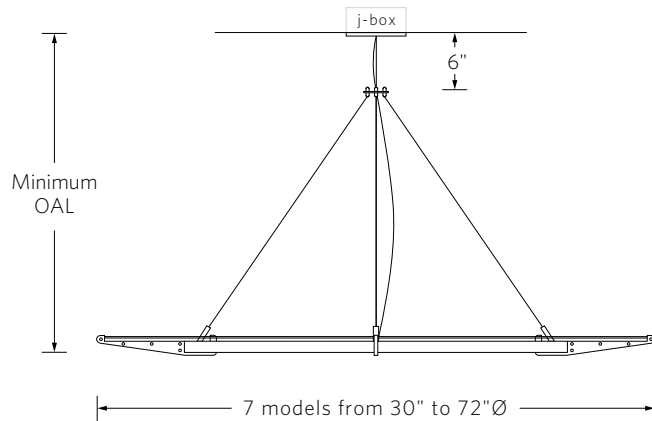
- 4220.30 25W, 2,700°K, 98 CRI, 2,152 lumens.
- 4220.36 37W, 2,700°K, 98 CRI, 3,257 lumens.
- 4220.42 50W, 2,700°K, 98 CRI, 4,363 lumens.
- 4220.48 63W, 2,700°K, 98 CRI, 5,468 lumens.
- 4220.54 75W, 2,700°K, 98 CRI, 6,573 lumens.
- 4220.60 87W, 2,700°K, 98 CRI, 7,620 lumens.
- 4220.72 100W, 2,700°K, 98 CRI, 8,725 lumens.

CA Title 24-JA8-2016

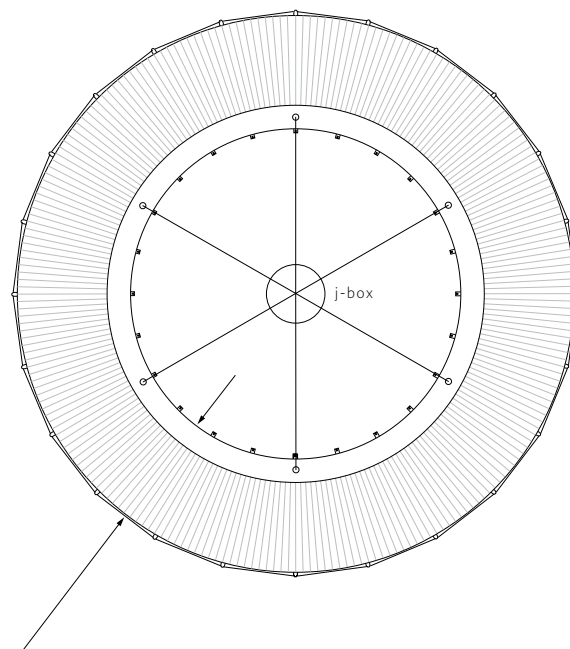
PLEASE SPECIFY

Size, finish, glass color & OAL (net price includes cable for an OAL of up to 48"). Refer to price book for additional cable length. OAL can be adjusted in the field at installation.

SIDE VIEW



TOP VIEW



Outside Ring width is 9.5" on all models except 4220.72, which has a 12" width.