

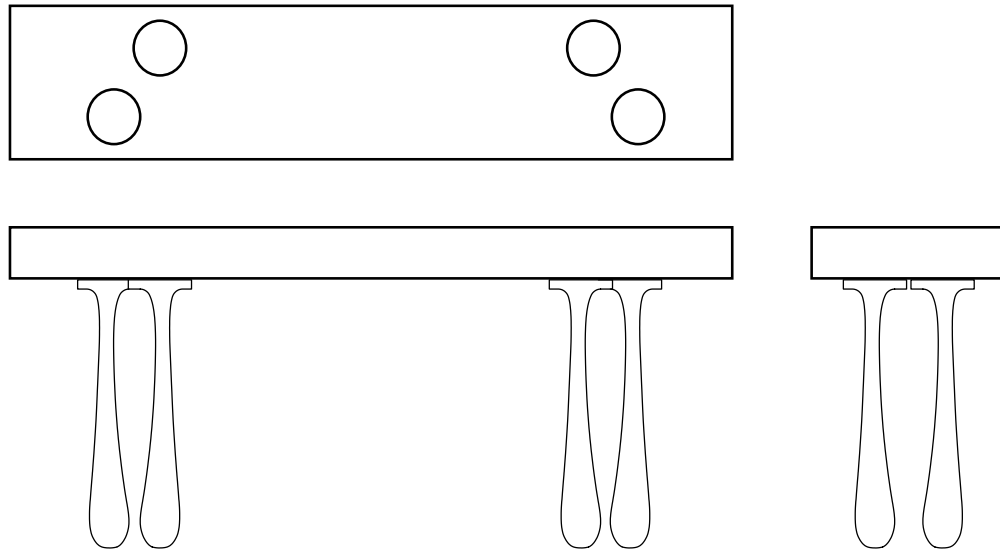


Shown: Blackened Steel with Peened Bronze  
Photography: Sean McBride  
© Stacklab Inc. All rights reserved

# Jupiter Collection | Console

Unlimited

STACKLAB|OBJECT



# Jupiter | Console

Unlimited

This console table pairs our signature solid bronze Jupiter castings with a blackened steel top.

Honouring central-eastern Canada's manufacturing heritage, the Jupiter legs are cast in sand- the same process used to produce machine parts for heavy industry. The sand-casting process produces faintly perceptible irregularities that enhance the leg's tactile appeal.

## Dimensions

- 36" W x 15" D x 32-1/2" H - 1 Drawer
- 48" W x 15" D x 32-1/2" H - 2 Drawers
- 60" W x 15" D x 32-1/2" H - 2 Drawers
- 72" W x 15" D x 32-1/2" H - 3 Drawers

## Materials & Finishes

### Table Top Options:

- Polished Blackened Stainless Steel

### Leg Options:

- Cast Iron with Wax Finish / Nordy Bronze Plate
- Mirror Polished Cast Aluminum with Wax Finish
- Blackened Cast Aluminum with Wax Finish
- Mirror Polished Cast Bronze with Wax Finish
- Satin Peened Bronze with Wax Finish

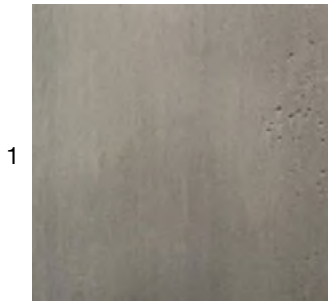
*\*Contact us for detailed material information.*

## Weight

- ~400 lbs. (Varies)

## Lead Time

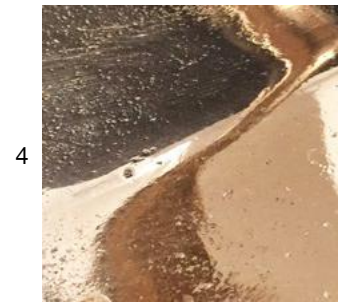
- 12-14 weeks



### Table Top Material Options

1. Polished Blackened Stainless Steel
2. Natural Vegetable Tanned Leather

*\* Please note that colours may vary between production runs.*



### Leg Material Options

1. Blackened Cast Aluminum with Wax Finish
2. Mirror Polished Cast Aluminum with Wax Finish
3. Satin Peened Bronze with Wax Finish
4. Mirror Polished Cast Bronze with Wax Finish
5. Cast Iron with Nordy Bronze Plate and Wax Finish

*\* Please note that colours may vary between production runs.*