



Shown: 42"Ø model in Satin nickel and Opal white glass.

MODEL NUMBER
4020

DESCRIPTION
Suspended ring of corrugated copper or brass, lined with kiln formed glass. Cable suspension.

FINISH
Deep brown oxide, Deep black oxide, Japanese, Natural Brass or Satin nickel.

KILN FORMED GLASS
Clear or Opal white

DIMENSIONS
Available in 7 sizes. Note height to diameter ratio.

CEILING PLATE
4.5"Ø x .25"D

PLEASE SPECIFY
Size, finish, glass color & OAL. Please select suspension type: Option 1 (straight cables; off-center j-box), or Option 2, (angled cables; center j-box). Minimum OAL varies with suspension option (see table below).

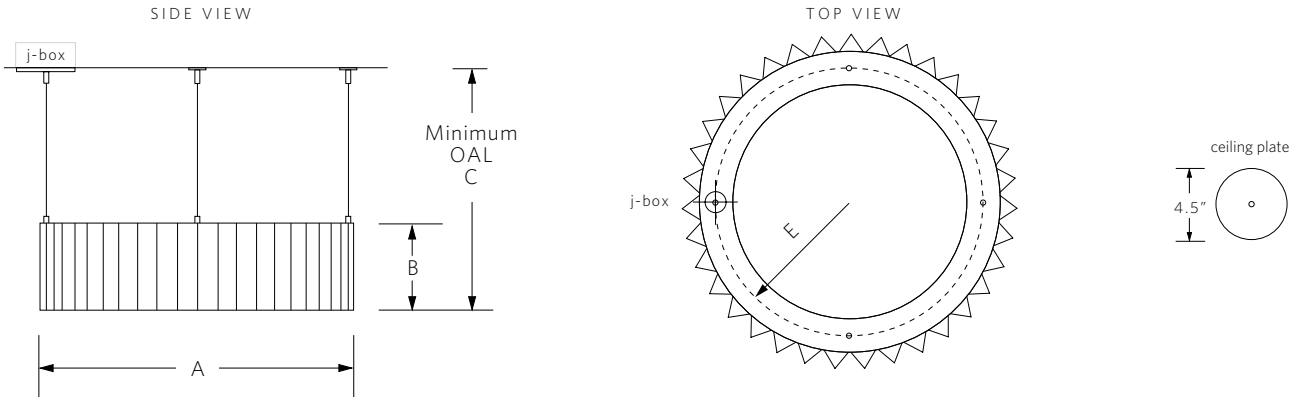
VOLTAGE / LAMP TYPE
Integrated LED, 24V, 2,700°K / 98 CRI Ra / 93 CRI R9 / 94 TM30 Rf / 101 TM30 Rg 30,000 hr.

120V to 24V dimmable driver included. Must be located in remote cubby / crawl space.

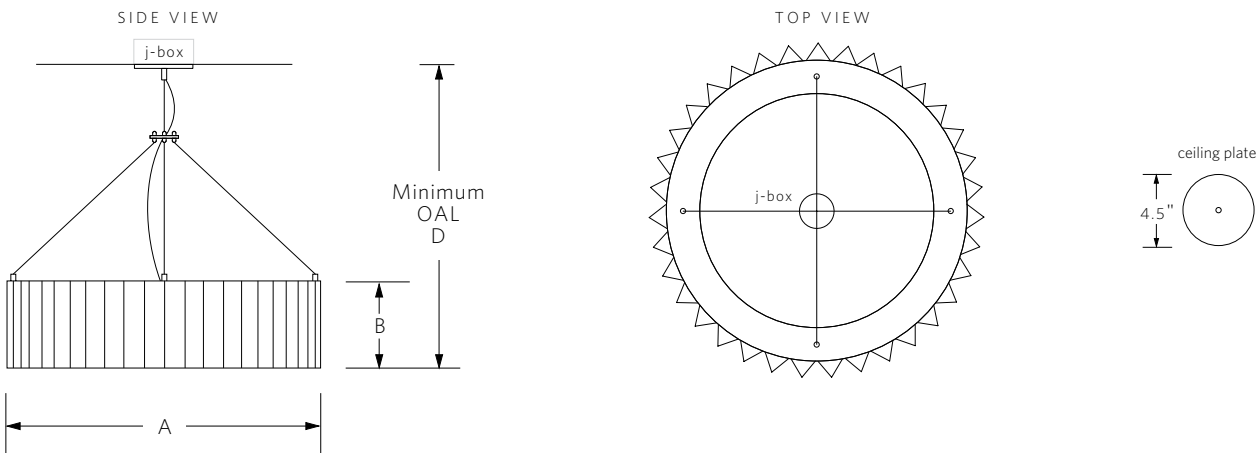
See specific LED specs for each model in table below.

CA Title 24-JA8-2016

Suspension Option 1 - 4 individual cables for off-center j-box



Suspension Option 2 - 4 cables joined to 1, for center j-box



Model	A	B	C	D	E	Net Wt	Voltage/Lamp
Gear Suspension 4020.18	18"	5"	N/A	18"	7.625"	12 lbs.	24V, 25W, 2,700°K , 98 CRI, 2,152 lumens.
Gear Suspension 4020.24	24"	6"	12"	24"	10.5"	15 lbs.	24V, 37W, 2,700°K , 98 CRI, 3,257 lumens.
Gear Suspension 4020.30	30"	7"	13"	30"	13.5"	21 lbs.	24V, 50W, 2,700°K , 98 CRI, 4,363 lumens.
Gear Suspension 4020.36	36"	8"	14"	36"	16.625"	30 lbs.	24V, 63W, 2,700°K , 98 CRI, 5,468 lumens.
Gear Suspension 4020.42	42"	9"	15"	42"	19.5"	40 lbs.	24V, 75W, 2,700°K , 98 CRI, 6,573 lumens.
Gear Suspension 4020.48	48"	10"	16"	48"	22.5"	46 lbs.	24V, 87W, 2,700°K , 98 CRI, 7,620 lumens.
Gear Suspension 4020.54	54"	11"	17"	54"	25.5"	50 lbs.	24V, 100W, 2,700°K , 98 CRI, 8,725 lumens.

Note: For suspension option 1, j-box can be located at any point along radius path E (see table and illustration above). Three appropriate ceiling anchors must be installed on remaining intersections. Anchors must be sufficient to support 25% of fixture weight. For suspension Option 2, j-box must be blocked sufficiently to support full fixture weight.