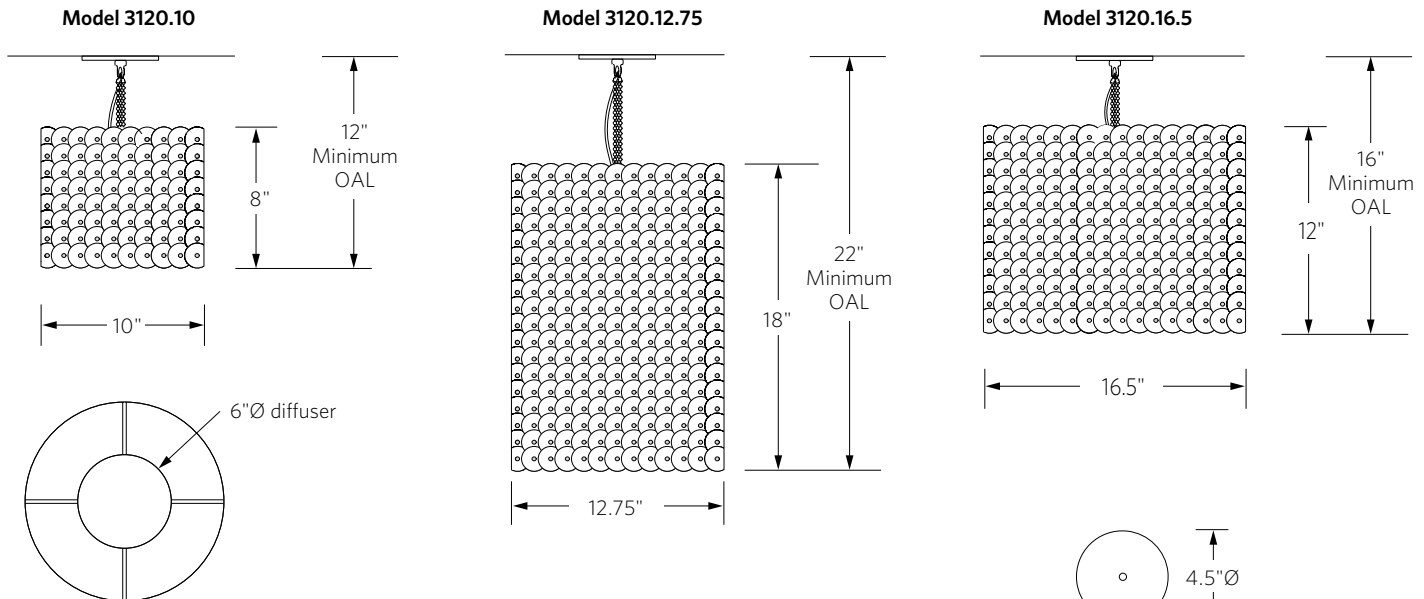


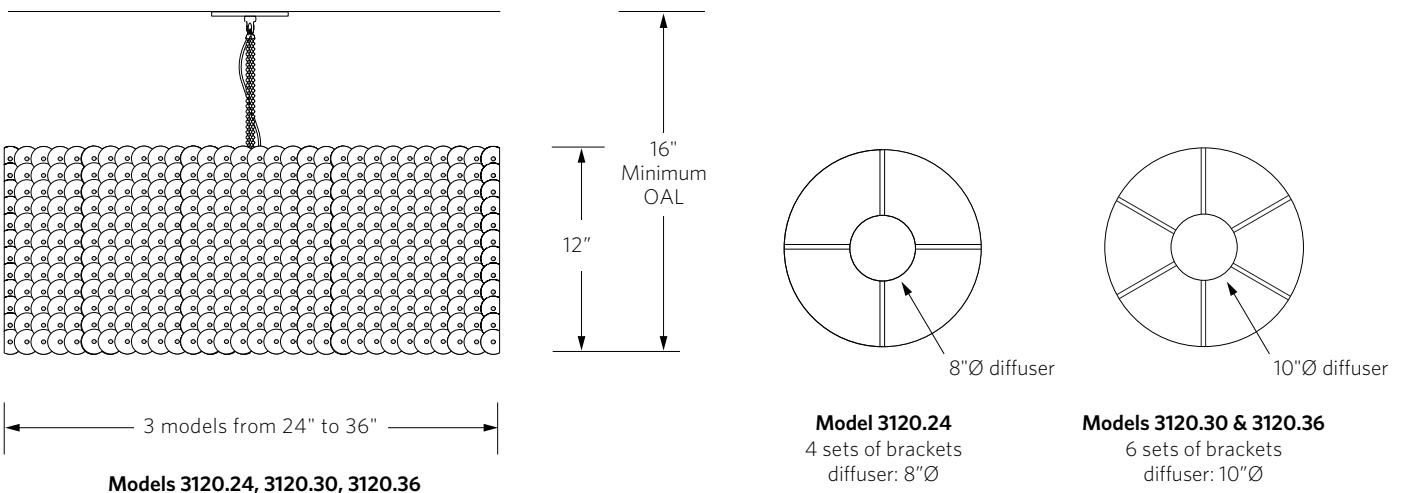
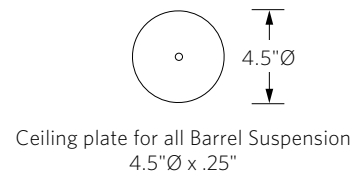


Shown: 24"Ø model, with ball chain suspension.

MODEL NUMBER	DIMENSIONS	MIN OAL	NET WT	VOLTAGE / LAMP TYPE
3120	10"Ø x 8"H	12" Min. OAL	6 lbs.	120V, 9W, GU24 base, A19 LED lamp, frosted.
DESCRIPTION	3120.12.75	22" Min. OAL	14 lbs.	2,700°K, 92 CRI, 800 lumens.
Shade of die cut mica discs & copper rivets, with an etched Lucite diffuser and steel hardware. Ball chain or rigid stem suspension.	3120.16.5	16" Min. OAL	16 lbs.	3120.12.75, 3120.16.5, 3120.24, 3120.30, 3120.36
FINISH	3120.24	16" Min. OAL	20 lbs.	120V, 17W, E26 base, A21 LED lamp, frosted.
Deep brown oxide.	3120.30	16" Min. OAL	24 lbs.	2,700°K, 92 CRI, 1,600 lumens.
SHADE	3120.36	16" Min. OAL	32 lbs.	CA Title 24-JA8-2016
Mica discs with an etched Lucite diffuser.				PLEASE SPECIFY
CEILING PLATE				Size, type of suspension & OAL (net price includes ball chain / stem for an OAL of up to 48"). Refer to price book for additional chain / stem length. Ball chain OAL can be shortened in the field at installation.
4.5"Ø x .25"D				



Models 3120.10, 3120.12.75 & 3120.16.5
4 sets of brackets
diffuser: 6"Ø



Models 3120.24, 3120.30, 3120.36

Model 3120.24
4 sets of brackets
diffuser: 8"Ø

Models 3120.30 & 3120.36
6 sets of brackets
diffuser: 10"Ø