

BERT | FRANK



STASIS

STASIS WALL LIGHT

Angular lines meet elegant curves. Polished copper or matt bronze meets satin-finish brass. Solid brass back plate with bronze or copper insert. Adjustable brass arm and bronze or copper shade. Adjustable brass arm and bronze or copper shade.



PRODUCT CODE

STS0020 – Stasis Wall Light - Bronze
 STS0022 – Stasis Wall Light - Polished

MATERIALS

Brass, Copper

FINISHES

Brushed brass lacquered as standard
 Bronzed or polished copper
 Custom finishes available

DIMMING

Mains dimmable / TRIAC

LIGHT SOURCE

1x 4W LED E12/G9 lamp (supplied)
 120/240V, 2700k
 LED lamp only MAX 12W

WEIGHT

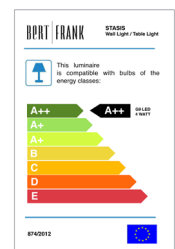
4kg net, 5kg gross

WALL PLATE

Brushed Brass Wall plate - 160 H x 63 W
 4in J-box plate available

DESIGN NOTES

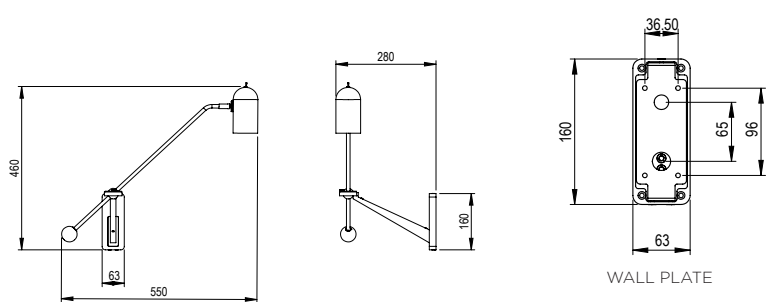
The precision of the engineering – a quality recognisable in all Bert Frank pieces – is very much on show in the Stasis collection. The ball joint that lies at the heart of each lamp is also the point of equilibrium.



BRONZED



POLISHED



WALL PLATE