

BERT FRANK



SHEAR

FINISHES

The solid brass metalwork is available in Bert Frank's four standard finishes: Brushed Brass, Antique Brass, Dark Bronze, Satin Nickel. Our shear shades are available in eleven different colourways.

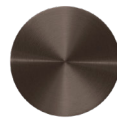
SOLID BRASS METALWORK



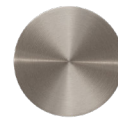
BRUSHED BRASS



ANTIQUE BRASS

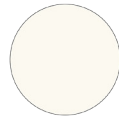


DARK BRONZE



SATIN NICKEL

POWDER COAT FINISHES



TEXTURED
CREAM



TEXTURED
BLUE



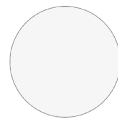
TEXTURED
GREEN



TEXTURED
OXBLOOD



TEXTURED
BLACK



SATIN WHITE



SATIN DOVE



SATIN MUSTARD



SATIN OLIVE



SATIN BLACK

FLOOR LAMP



MATERIALS

Brass | Powder coated*

FINISHES

Standard finishes listed below
Bespoke finishes available upon request
Metalwork lacquered as standard

DIMMING

Non-dimmable as standard
Mains dimmable | TRIAC available
5amp plug available

LIGHT SOURCE

2 x 4W LED E12/G9 lamp (supplied)
120/240V | 2700k
LED lamp only MAX 12W

DIMENSIONS

Adjustable H | Adujstable W
18kg | 39.7lbs

CORD

200cm fabric cord provided foot switch on cord

*Refer to P3 for the powder coat colour options

FINISHES



BRUSHED BRASS | TEXTURED WHITE



ANTIQUE BRASS | TEXTURED WHITE

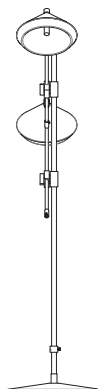
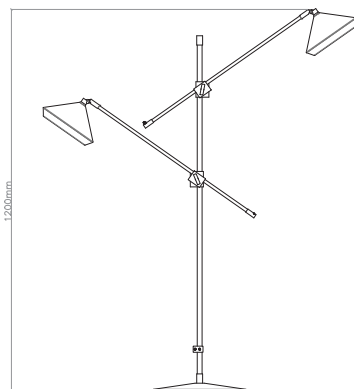


DARK BRONZE | TEXTURED OXBLOOD



SATIN NICKEL | TEXTURED BLACK

LINE DRAWINGS



BERT FRANK

+44 (0) 207 164 6482 | sales@bertfrank.co.uk
www.bertfrank.co.uk | 67 Farringdon Road, London EC1M 3JB, UK