



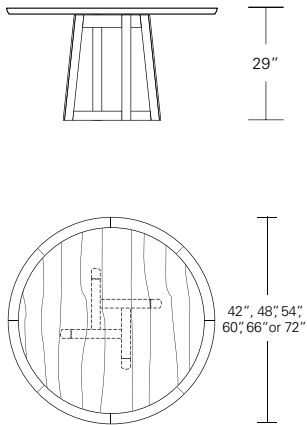
ROULETTE ROUND EXTENSION TABLE - SPLIT BASE

(114W with two 24" LEAVES)

Shown in Walnut with optional solid wood top.

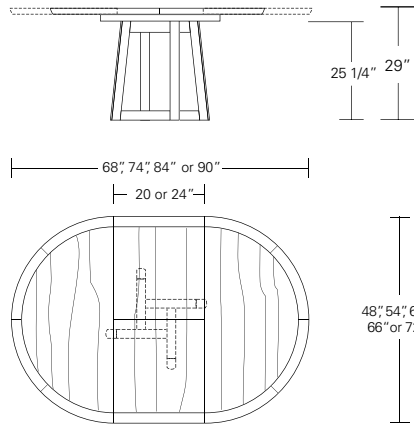
The Roulette Round Table features a pin wheel style base layout with slanted legs suggesting a rotating movement. On this table the base splits to support the increased top length. Roulettes are available in a variety of shapes, sizes, fixed and extension versions.

ROULETTE ROUND & SQUARE TABLES



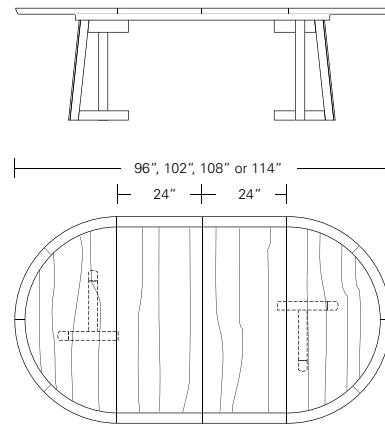
Roulette Round Table

42"W x 42"D x 29"H
 48"W x 48"D x 29"H
 54"W x 54"D x 29"H
 60"W x 60"D x 29"H
 66"W x 66"D x 29"H
 72"W x 72"D x 29"H



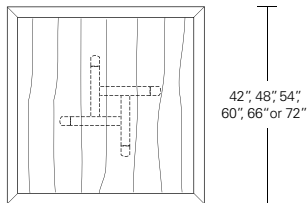
Round Extension Table (w/self-storing leaf)

48"W (68" w/one 20" leaf) x 48"D x 29"H
 54"W (74" w/one 20" leaf) x 54"D x 29"H
 60"W (84" w/one 24" leaf) x 60"D x 29"H
 66"W (90" w/one 24" leaf) x 66"D x 29"H
 72"W (96" w/one 24" leaf) x 72"D x 29"H



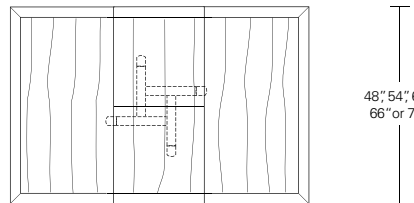
Round Split Base Extension Table

48"W (96" w/two 24" leaves) x 48"D x 29"H
 54"W (102" w/two 24" leaves) x 54"D x 29"H
 60"W (108" w/two 24" leaves) x 60"D x 29"H
 66"W (114" w/two 24" leaves) x 66"D x 29"H
 72"W (120" w/two 24" leaves) x 72"D x 29"H



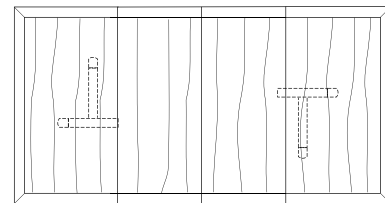
Roulette Square Table

42"W x 42"D x 29"H
 48"W x 48"D x 29"H
 54"W x 54"D x 29"H
 60"W x 60"D x 29"H
 66"W x 66"D x 29"H
 72"W x 72"D x 29"H



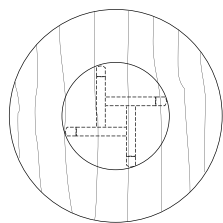
Square Extension Table (w/self-storing leaf)

48"W (68" w/one 20" leaf) x 48"D x 29"H
 54"W (74" w/one 20" leaf) x 54"D x 29"H
 60"W (84" w/one 24" leaf) x 60"D x 29"H
 66"W (90" w/one 24" leaf) x 66"D x 29"H
 72"W (96" w/one 24" leaf) x 72"D x 29"H

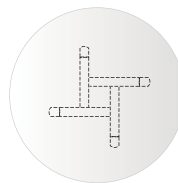
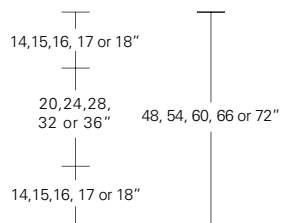


Square Split Base Extension Table

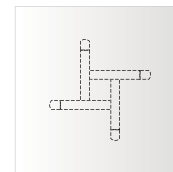
48"W (96" w/two 24" leaves) x 48"D x 29"H
 54"W (102" w/two 24" leaves) x 54"D x 29"H
 60"W (108" w/two 24" leaves) x 60"D x 29"H
 66"W (114" w/two 24" leaves) x 66"D x 29"H
 72"W (120" w/two 24" leaves) x 72"D x 29"H



Lazy Susan Option



Round



Square

Roulette Table with Glass Top

DESCRIPTION	FINISH OPTIONS		
	NATURAL	STAINED	CERUSED
<p>Roulette Round Table: Veneer top with solid wood edge. Solid wood base with levelers.</p> <p>Standard Options: Solid wood top. Lazy susan or inset lazy susan. Reverse diamond, diamond or sunburst veneer pattern (veneer top only). Glass top.</p> <p>Custom Orders: Custom sizes, woods, veneer patterns and finishes are available. Please request a price quotation.</p>	<p>Standard Finishes</p> <p>Ash, Cherry, Mahogany, Maple, Walnut, Claro Toned Walnut, Oak.*</p> <p>*At additional cost.</p>	<p>Bronze Ash, Burnt Ash, Ebonized Ash, Grey Ash, Medium Cherry, Dark Cherry, Medium Mahogany, Ebonized Walnut, Medium Walnut, Dark Walnut, Grey Walnut, Silver Walnut.</p>	<p>Bleached Ash, Cerused Ash, Cerused Bronze Ash, Cerused Burnt Ash, Cerused Mahogany, Cerused Dark Mahogany, Cerused Oak*, Bleached Walnut, Cerused Walnut, Cerused Grey Walnut, Cerused Silver Walnut.</p>