

# JIUN HO

FURNITURE

Recife Chair + Ottoman



[jiunho.com](http://jiunho.com)

# JIUN HO

## Recife Chair + Ottoman

### CHAIR

CH-18-115

W 36" D 33.5" H 32" SH 15" AH 24.5"

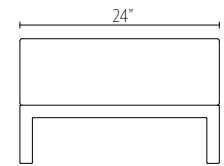
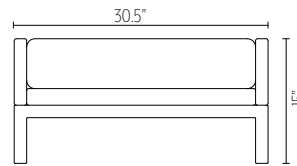
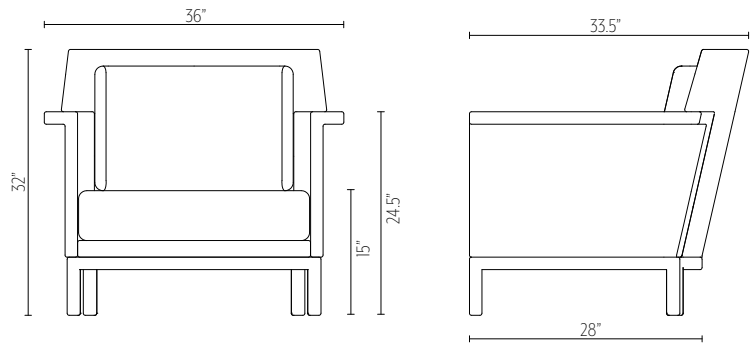
COM 10 YDS COL 180 SQF

### OTTOMAN

CH-18-115-OTTO

W 30.5" D 24" H 15"

COM 2 YDS COL 36 SQF



## DENNIS MILLER ASSOCIATES

200 Lexington Avenue Suite 1210 New York, NY 10016  
212.684.0070 Fax.212.684.0776 www.dennismiller.com