



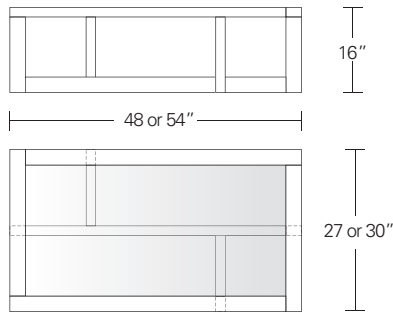
OFFSET SIDE TABLE

20W x 28D x 22H

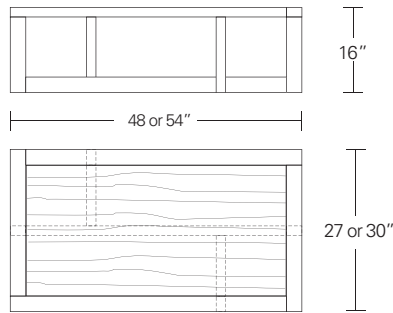
Shown in Cered Burnt Ash with Grey Glass inset top.

The asymmetrical yet balanced composition of the framework of this side table is the hallmark of the design. The Offset is available with an inset glass or wood top in a variety of standard finishes.

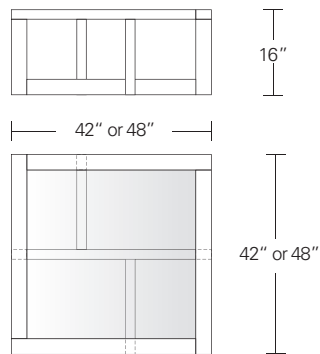
OFFSET COCKTAIL & SIDE TABLE



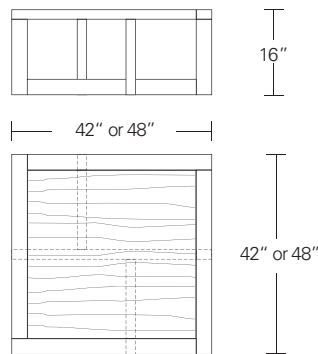
Rectangular Cocktail Table with inset glass top
48"W x 27"D x 16"H
54"W x 30"D x 16"H



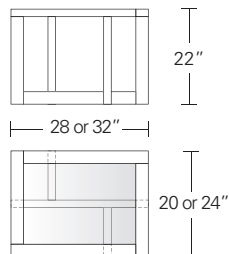
Rectangular Cocktail Table with wood top
48"W x 27"D x 16"H
54"W x 30"D x 16"H



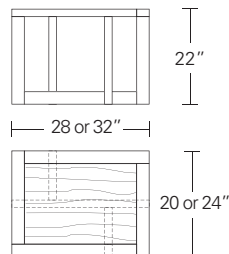
Square Cocktail Table with inset glass top
42"W x 42"D x 16"H
48"W x 48"D x 16"H



Square Cocktail Table with wood top
42"W x 42"D x 16"H
48"W x 48"D x 16"H



Side Table with inset glass top
28"W x 20"D x 22"H
32"W x 24"D x 22"H



Side Table with wood top
28"W x 20"D x 22"H
32"W x 24"D x 22"H

| DESCRIPTION | FINISH OPTIONS | | |
|--|--|---|--|
| | NATURAL | STAINED | CERUSED |
| <p>Offset Cocktail & Side Table: Inset glass top or veneer top with solid wood frame. Base with solid wood frame members.</p> <p>Standard Options: Grey or bronze glass top.</p> <p>Custom Orders: Custom sizes, woods, veneer patterns and finishes are available. Please request a price quotation.</p> | <p>Ash, Cherry, Mahogany, Maple, Walnut, Claro Toned Walnut, Oak.*</p> <p>*At additional cost.</p> | <p>Medium Ash, Dark Ash, Burnt Ash, Ebonized Ash, Medium Cherry, Dark Cherry, Medium Mahogany, Medium Walnut, Dark Walnut, Ebonized Walnut, Grey Walnut, Silver Walnut.</p> | <p>Bleached Ash, Cerused Ash, Cerused Burnt Ash, Cerused Dark Ash, Cerused Mahogany, Cerused Dark Mahogany, Bleached Walnut, Cerused Walnut, Cerused Grey Walnut, Cerused Silver Walnut, Cerused Oak*.</p> |