



Nested position



Extended with one leaf



Extended with two leaves



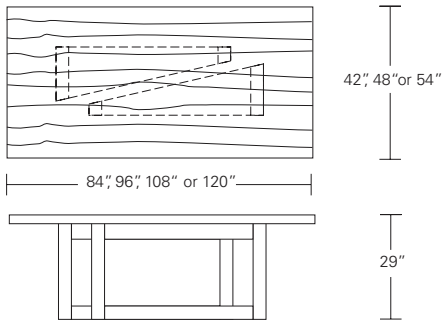
OBLIQUE TABLE

Shown in Cerused Grey Walnut.

**72W x 42D x 29H
(90W-1 LEAF, 108W-2 LEAVES)**

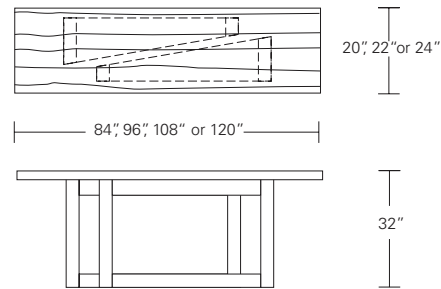
The Oblique Table rests on the juxtaposition of two wedge-like base forms. As leaves are added to the tabletop, the tandem bases create a series of harmonious compositions. Self-storing leaves can be incorporated into the table's design.

OBLIQUE TABLE



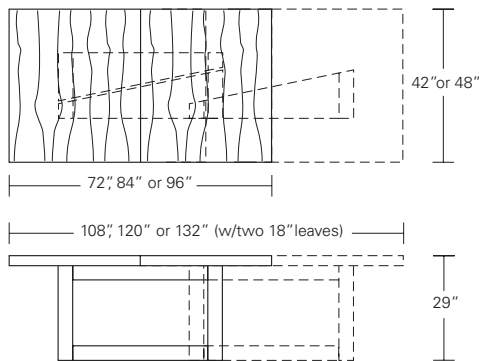
Oblique Table

84"W x 42"D x 29"H
 96"W x 42"D x 29"H
 108"W x 48"D x 29"H
 120"W x 54"D x 29"H



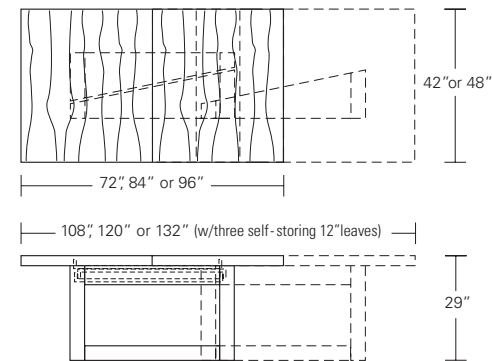
Oblique Console

84"W x 20"D x 32"H
 96"W x 22"D x 32"H
 108"W x 24"D x 32"H
 120"W x 24"D x 32"H



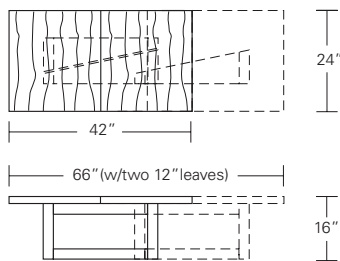
Oblique Extension Table

72"W (108" w/two 18" leaves) x 42"D x 29"H
 84"W (120" w/two 18" leaves) x 42"D x 29"H
 96"W (132" w/two 18" leaves) x 48"D x 29"H



Oblique Extension Table (with self storing leaves)

72"W (108" w/three 12" leaves) x 42"D x 29"H
 84"W (120" w/three 12" leaves) x 42"D x 29"H
 96"W (132" w/three 12" leaves) x 48"D x 29"H



Oblique Cocktail Table

42"W (66" w/two 12" leaves) x 24"D x 16"H

DESCRIPTION	FINISH OPTIONS		
	NATURAL	STAINED	CERUSED
Oblique Table: Veneer top and base with thick veneer edging. Custom Orders: Custom sizes, woods, veneer patterns and finishes are available. Please request a price quotation.	Standard Finishes Ash, Cherry, Mahogany, Maple, Walnut, Claro Toned Walnut, Oak.* *At additional cost.	Medium Ash, Dark Ash, Burnt Ash, Ebonized Ash, Medium Cherry, Dark Cherry, Medium Mahogany, Medium Walnut, Dark Walnut, Ebonized Walnut, Grey Walnut, Silver Walnut.	Bleached Ash, Cerused Ash, Cerused Burnt Ash, Cerused Dark Ash, Cerused Mahogany, Cerused Dark Mahogany, Bleached Walnut, Cerused Walnut, Cerused Grey Walnut, Cerused Silver Walnut, Cerused Oak*.