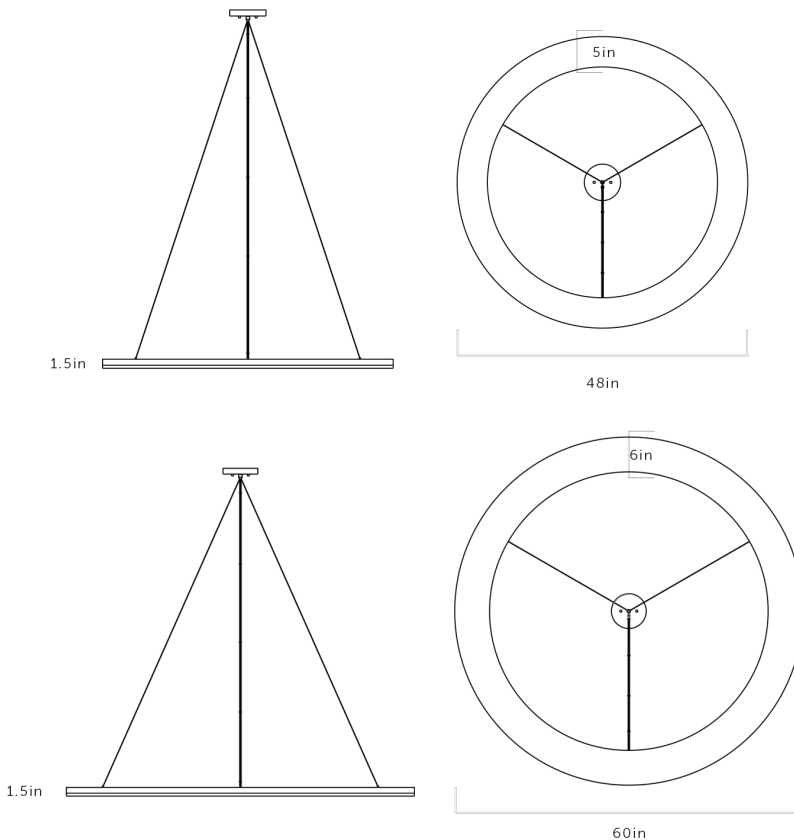


DAVID ALEXANDER



NUMI PENDANT 48" and 60"

MODEL NUMBER:

DA3040-48
DA3040-60

DIMENSIONS:

Specify diameter
Ø 48in x W 5in x H 1.5in
Ø 60in x W 6in x H 1.5in

CANOPY:

Ø 6in x H 1in

WEIGHT:

35lb/45Lb

LEAD TIME:

6-8 weeks

LAMPING:

Integrated LED
Wattage: 47watts / 71watts
Color Temperature: 2700K
Life: 50,000 Hours
Lumens:
• 48" diameter: 2800, 90+ CRI
• 60" diameter: 4300, 90+ CRI

POWER SUPPLY:

LED Driver: Remote
0-10v Dimmable
Input Voltage: 120-277V

METAL OPTIONS:

Polished / Satin Nickel
Satin Brass
Light Antiqued Brass
Antiqued Brass
Dark Bronze

WOOD OPTIONS:

Butternut
Roasted Brown
Squall

DESIGNS ROOTED IN OAKLAND | HANDMADE IN COLORADO

www.davidalexanderstudio.com