

ATELIER PURCELL

KLIPPEN SECTIONAL SOFA



ATELIER PURCELL

KLIPPEN SECTIONAL SOFA

FEET

All Standard Wood

COM Required:

COM requirements are located on alongside their specification drawings.

COL Required:

COL requirements are located on alongside their specification drawings.



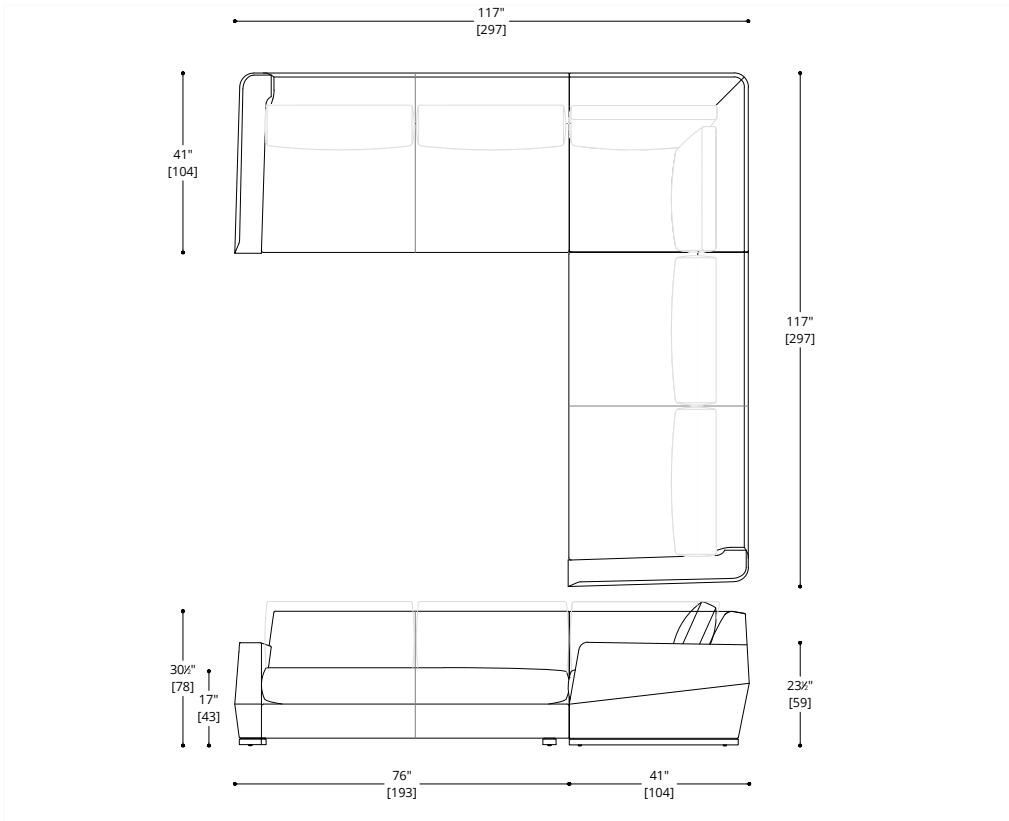
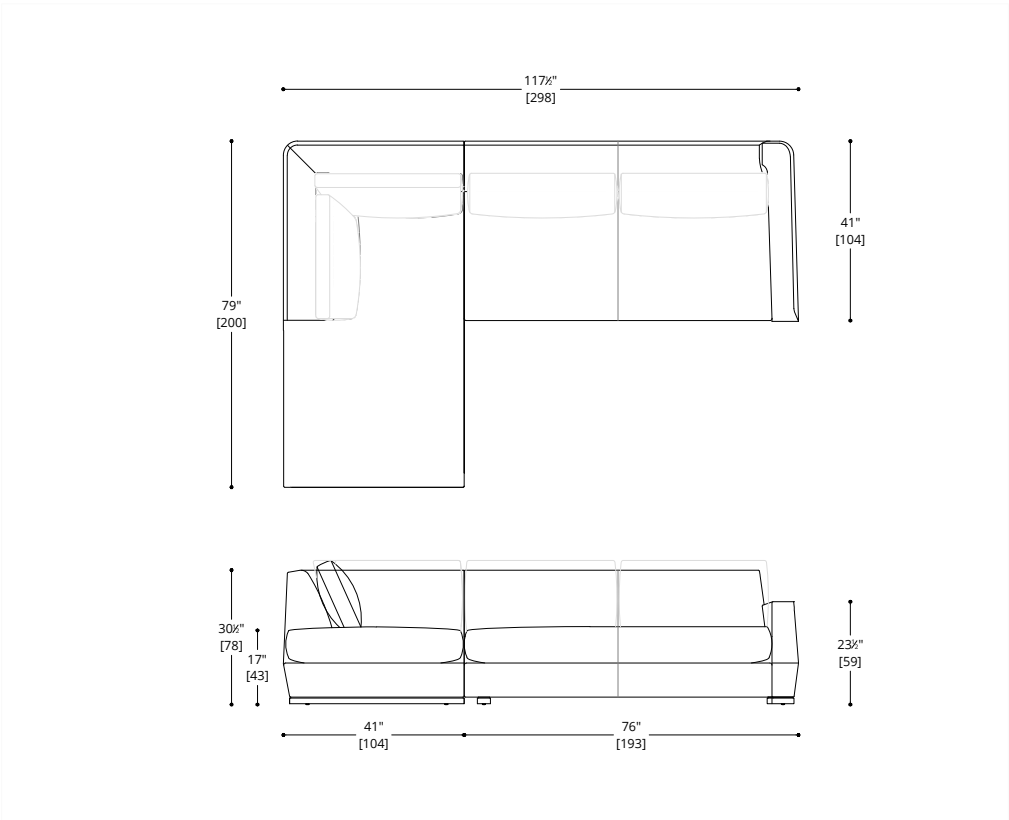
NOTES:

PLEASE CONFIRM DETAILS OF THIS TEAR SHEET WITH YOUR LOCAL SALES ASSOCIATE.

Purcell Design reserves the right to make technological and aesthetic improvements to its models, including changes to the sizes and materials, without notice. The technical drawings do not define the details of the product. The measurements shown are indicative and may undergo changes. In particular, the dimensions relevant to the padded parts are subject to usage tolerances over time caused by the normal adjustment of the padding. For specific information, please contact us directly or the dealer closest to you.

ATELIER PURCELL

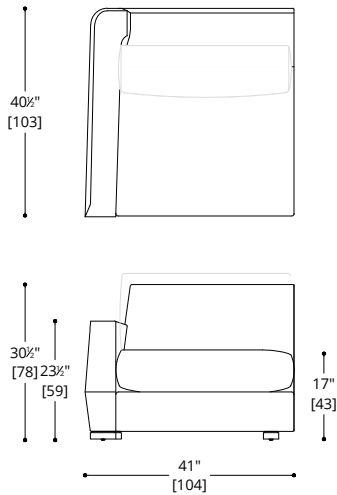
KLIPPEN SECTIONAL SOFA, Components



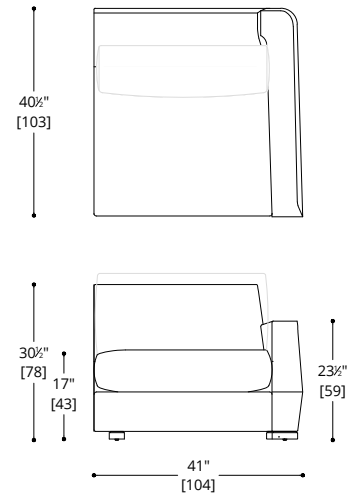
ATELIER PURCELL

KLIPPEN SECTIONAL SOFA, Components

1 SEAT + ARM LEFT

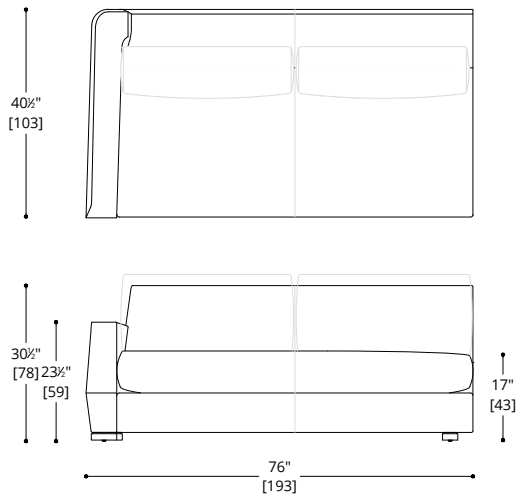


1 SEAT + ARM RIGHT

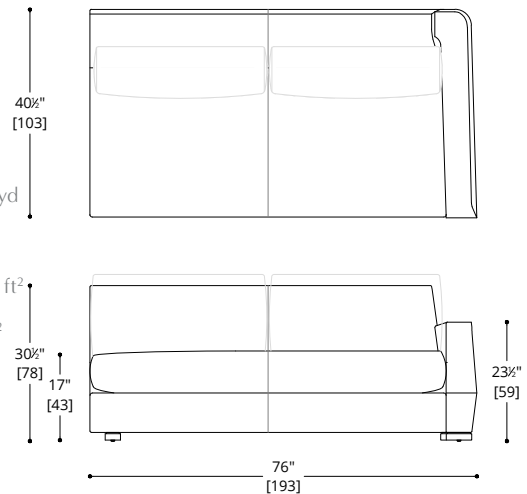


COM Required:
Base, Back & Arm 6.5 yd
Seat 3.5 yd
1 Back Pillow 1.5 yd
COL Required:
Base, Back & Arm 117ft²
Seat 63 ft²
1 Back Pillow 27 ft²

2 SEAT + ARM LEFT

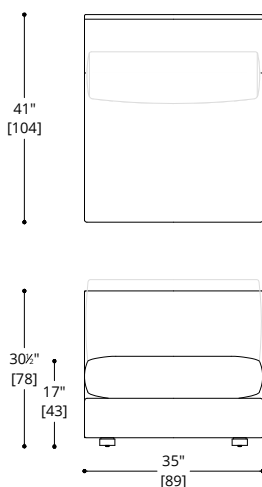


2 SEAT + ARM RIGHT



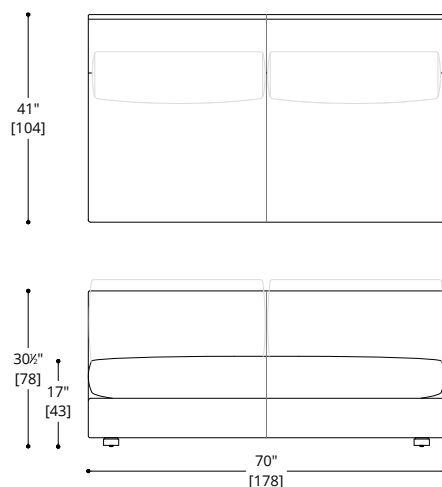
COM Required:
Base, Back & Arm 10 yd
Seat 7 yd
2 Back Pillows 3 yd
COL Required:
Base, Back & Arm 180 ft²
Seat 126 ft²
2 Back Pillows 54 ft²

1 SEAT



1 SEAT
COM Required
Base & Back 4.5 yd
Seat 3.5 yd
1 Pillows 1.5 yd
COL Required:
Base & Back 81 ft²
Seat 63 ft²
1 Pillow 27 ft²
2 SEATCOM Required
Base & Back 7 yd
Seat 7 yd
2 Back Pillows 3 yd
COL Required:
Base & Back 126 ft²
Seat 126 ft²
2 Back Pillows 54 ft²

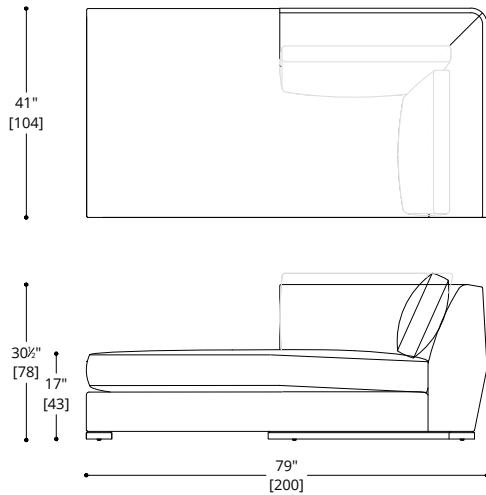
2 SEAT



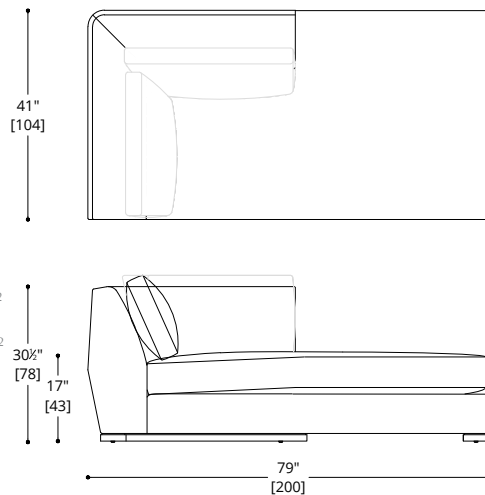
ATELIER PURCELL

KLIPPEN SECTIONAL SOFA, Components

CHAISE LONGUE LEFT

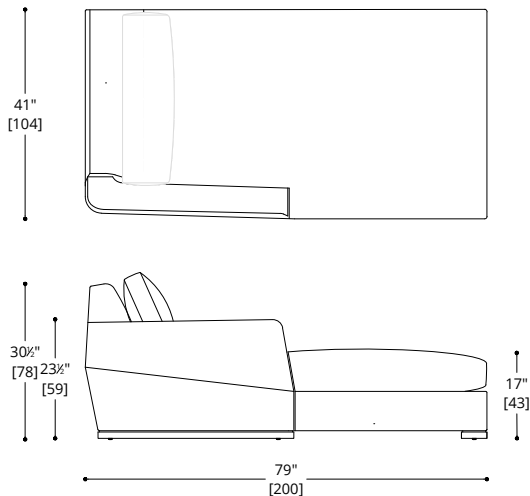


CHAISE LONGUE RIGHT

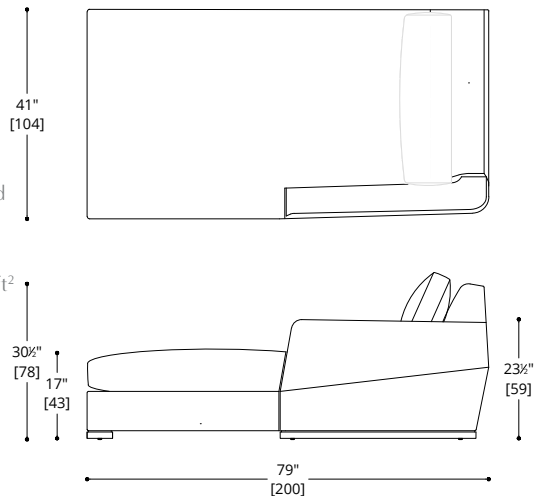


COM Required:
Base & Back 8 yd
Seat 7 yd
2 Back Pillows 3 yd
COL Required:
Base & Back 144 ft²
Seat 126 ft²
2 Back Pillows 54 ft²

CHAISE LONGUE + ARM LEFT

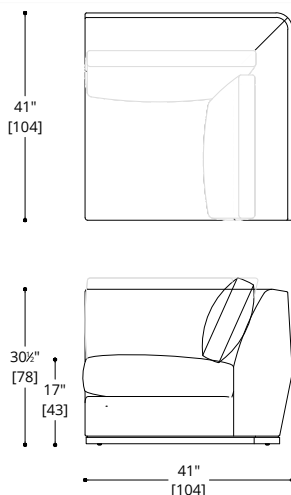


CHAISE LONGUE + ARM RIGHT



COM Required:
Base, Back & Arm 8 yd
Seat 7 yd
1 Back Pillow 1.5 yd
COL Required:
Base, Back & Arm 144 ft²
Seat 126 ft²
1 Back Pillow 27 ft²

CORNER



COM Required:
Base & Back 7 yd
Seat 3.5 yd
2 Pillows 3 yd
COL Required:
Base & Back 126 ft²
Seat 63 ft²
2 Back Pillows 54 ft²

BACK CUSHION (each)
COM Required: 1.5 yd
COL Required: 27 ft²

THROW PILLOW (each)
COM Required: 0.75 yd
COL Required: 13.5 ft²