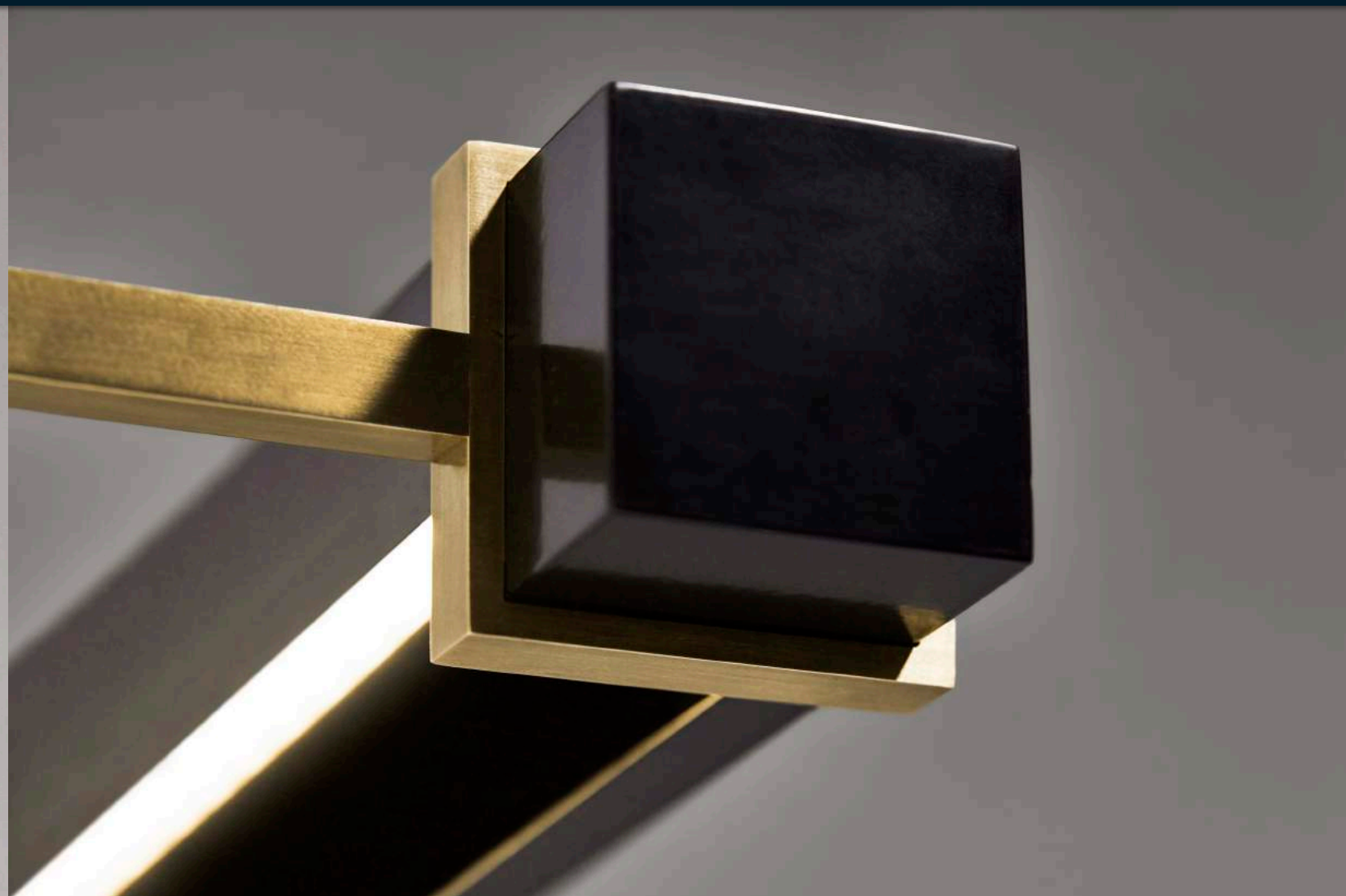
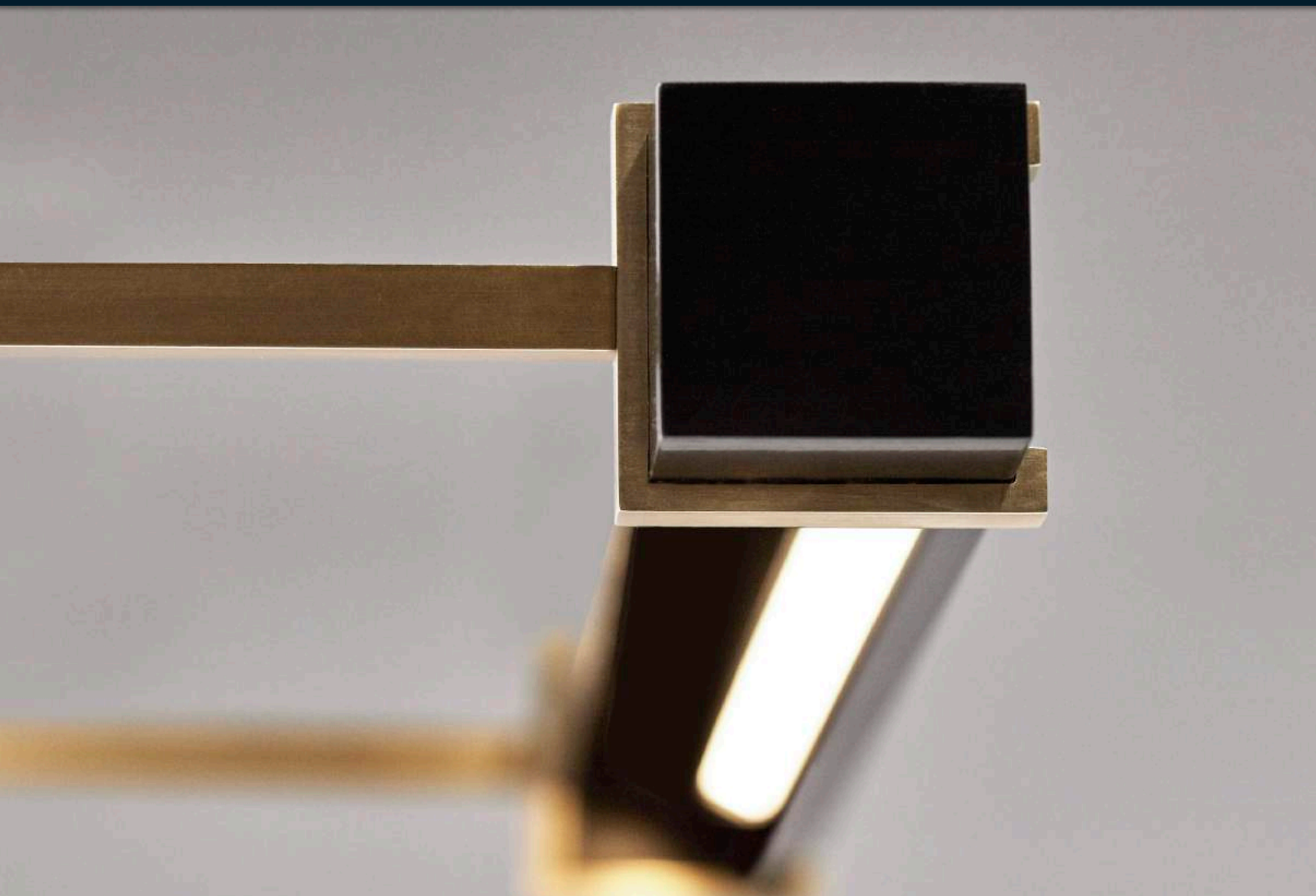


# GRASP SERIES





## PRODUCT INFO

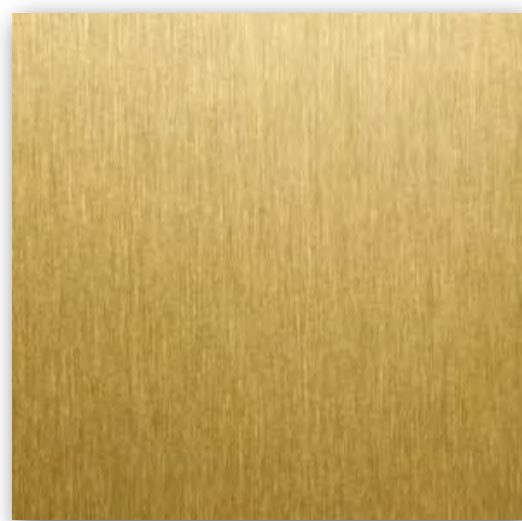
Collection	One Illuminates - Art Light Collection
Product	GRASP SERIES
Lead Time	4 - 6 weeks standard sizes/finishes. Custom lead time 6 - 8 weeks.

## SPECIFICATIONS

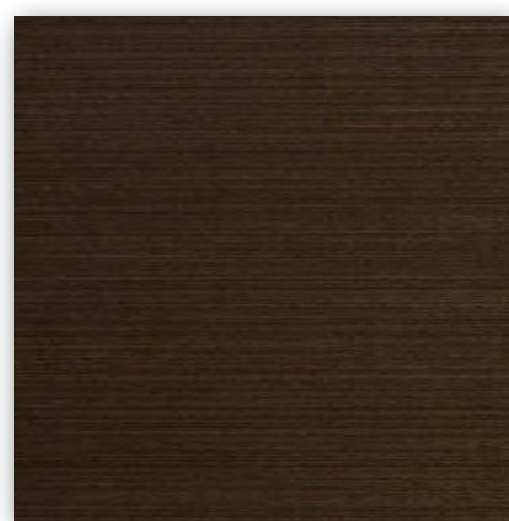
Weight	2': 6lbs, 3': 8lbs., 4': 10lbs.
Materials	Aluminum
Labeling	CE/UL
Electrical/Voltage	110-volts. No driver required
Dimming	0-100%
Color Temperature	2400k or 2700k (select temp. on order)
Accessories	4x4 J-Box Cover Plate

## FINISHES (custom finishes available to-order)

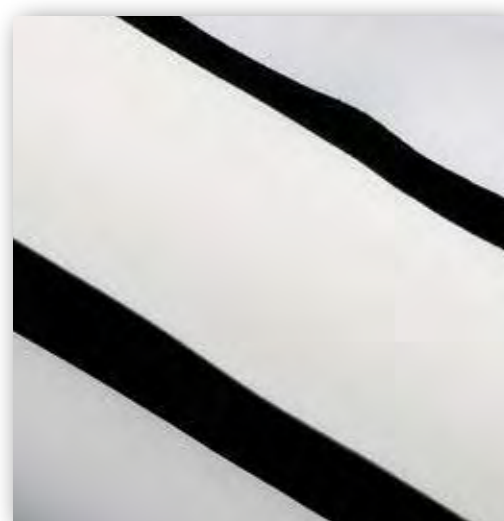
Shade	Oil-Rubbed Bronze, Ant. Brass, White/Black Powdercoat
Stem/Backplate	Oil-Rubbed Bronze, Ant. Brass, Chrome, White/Black Powdercoat



Antique Brass



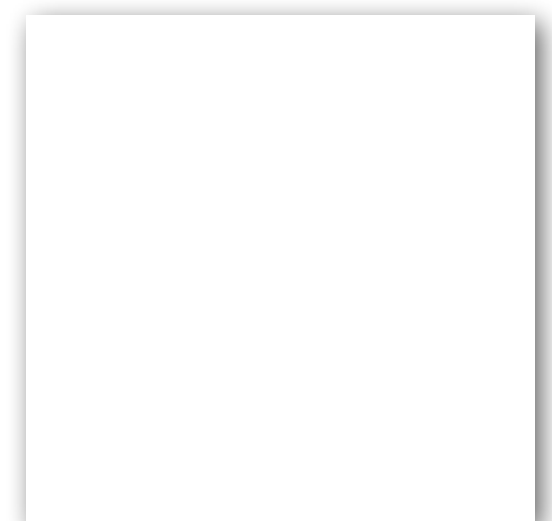
Oil-Rubbed Bronze



Polished Chrome



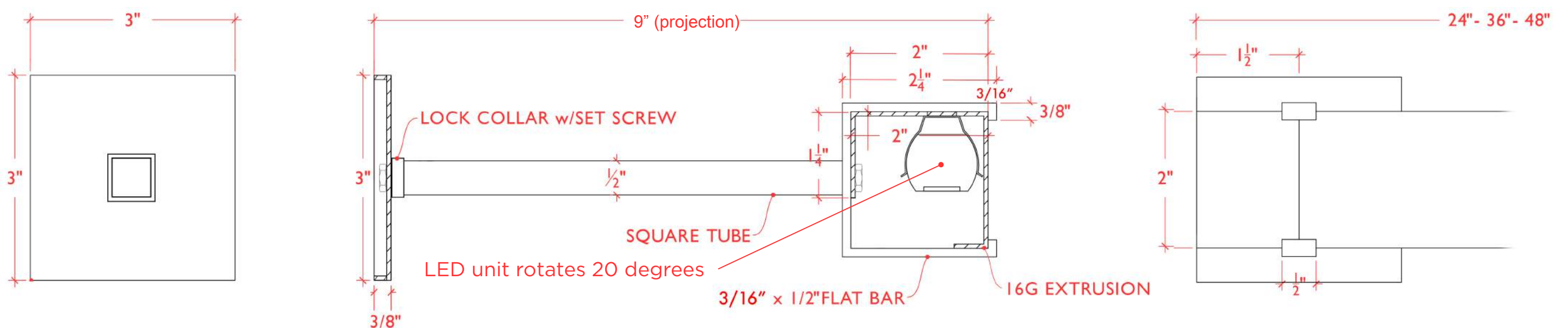
Black Powdercoat



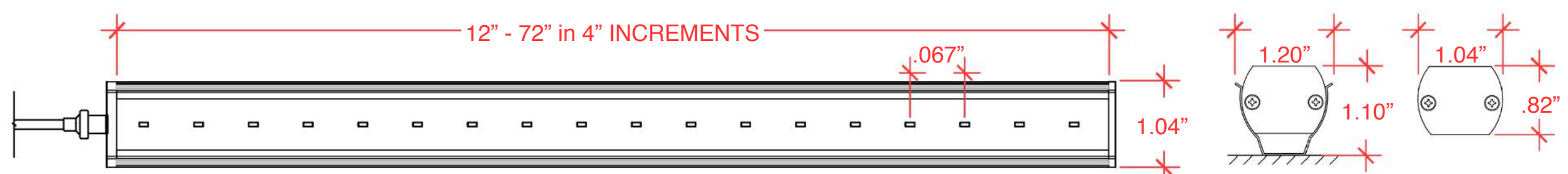
White Powdercoat

## FIXTURE DIMENSIONS: (custom sizes available to-order)

Shade standard sizes: 24" - 36" - 48"	Overall Shade Width	(custom size to-order)
Stem standard sizes: 9"	Overall Projection from wall	(custom size to-order)



## LED DIMENSIONS







ANTIQUÉ BRASS / ANTIQUÉ BRASS



ANTIQUÉ BRASS / BLACK POWDERCOAT



POLISHED CHROME / WHITE POWDERCOAT



ANTIQUÉ BRASS / WHITE POWDERCOAT



BLACK / BLACK POWDERCOAT



BLACK / WHITE POWDERCOAT



WHITE / WHITE POWDERCOAT

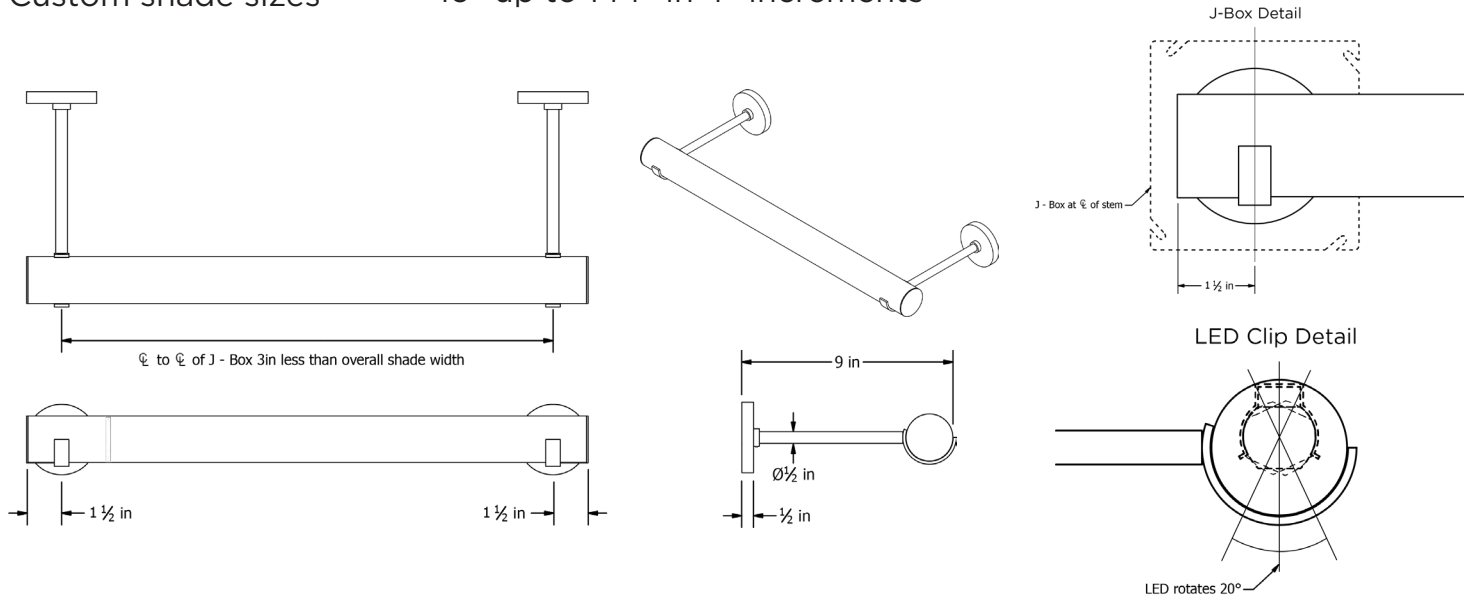


OIL-RUBBED BRONZE / OIL-RUBBED BRONZE



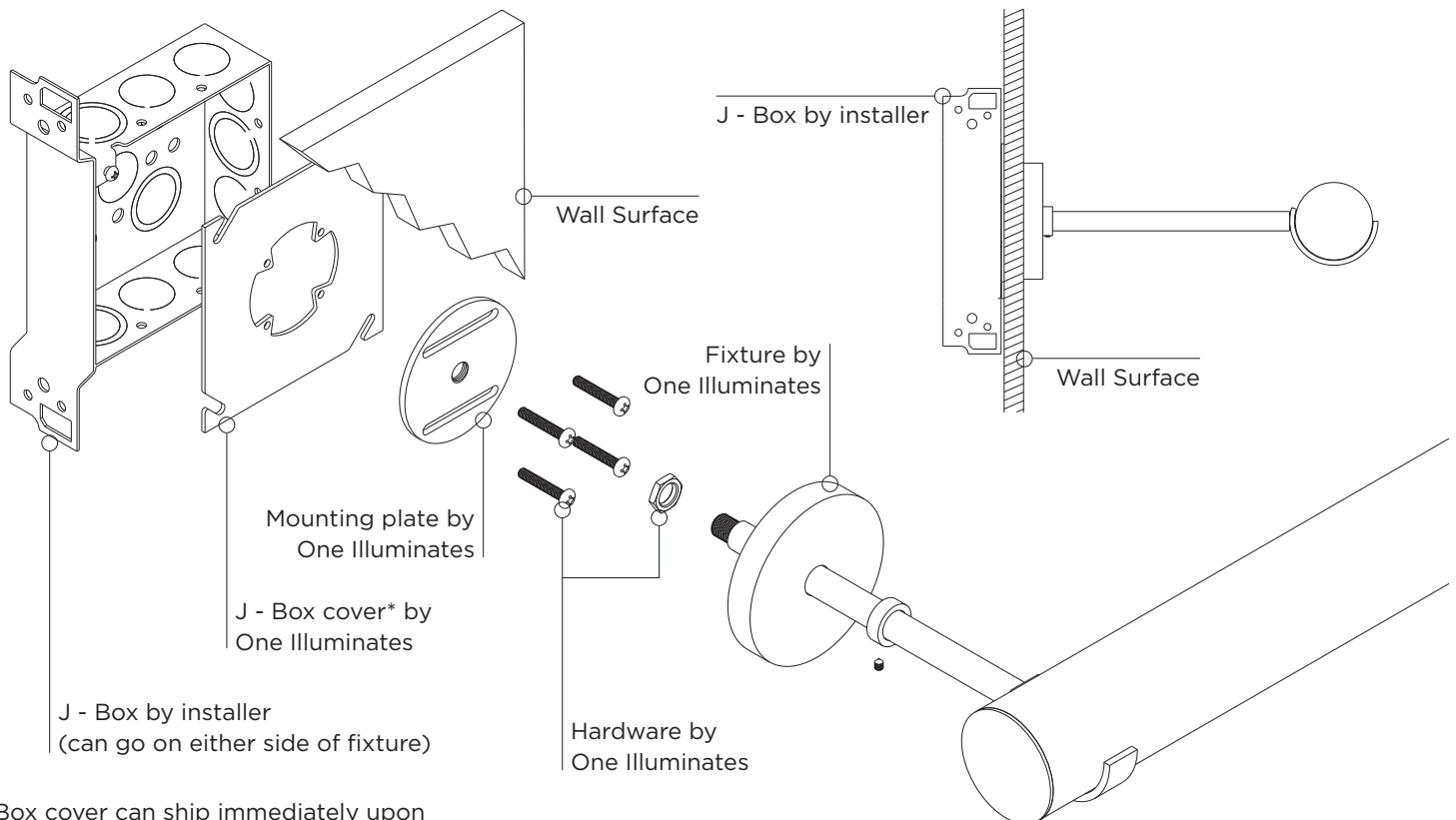
## FIXTURE DIMENSIONS

Shade standard sizes 24", 36", 48" (overall shade width)  
 Stem standard size 9" (overall projection from wall) [custom size to order]  
 Custom shade sizes 16" up to 144" in 4" increments



## Installation Guide

## Section View



\*J - Box cover can ship immediately upon purchase order for pre-installation