

# HILLIARD

## FLUME PENDANT CHANDELIER



**DESIGN** The Flume chandelier features a frosted scientific glass tube, softly illuminated by a single dotless filament LED, cradled in hand-casted bronze hemispheres. The bronze framework is elegantly structured, allowing the glass tube to be rotated and float perfectly. This dynamic design adds a sense of movement and modern artistry, evoking the harmony and equilibrium of a perfectly balanced mobile.

**FINISHES** Antique Bronze and Clear Frosted Glass, additional finishes available.

# HILLIARD

## FLUME PENDANT CHANDELIER

**DIMENSIONS:** 59 W x 3.5 D x 20 MIN H IN  
150 W x 9 D x 51 MIN H CM

Height determined by designer.  
Over 48" overall height includes  
additional charges.

**WEIGHT:** APPROX 15 LBS

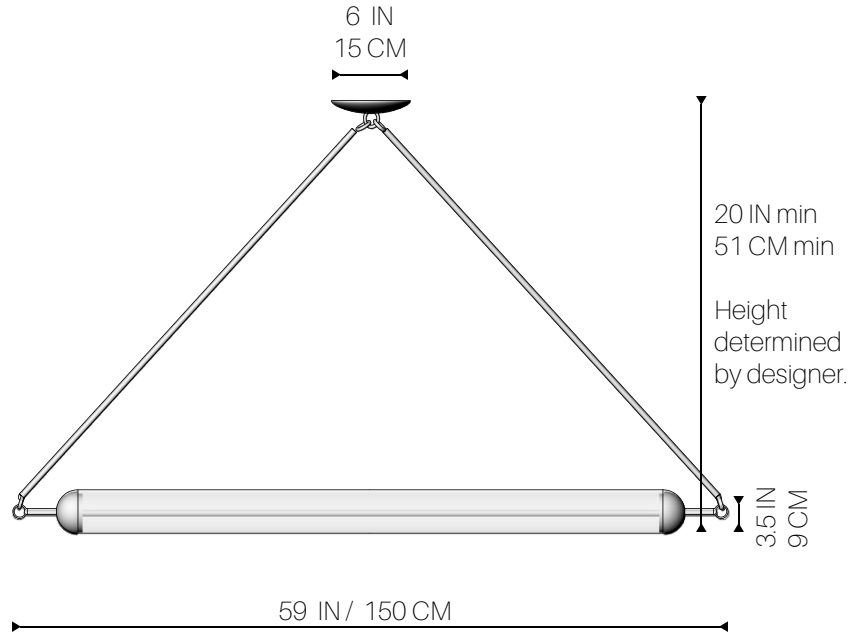
**VOLTAGE:** 24v standard  
UL DAMP LISTED/ CE AVAILABLE

**J-BOX REQUIREMENT:** Standard

**LAMPING:** 20 watt 24V LED  
2000 LUMENS 3000k  
Dimmable

**DRIVER:** 24v DRIVER included upon request.

Each fixture is hand crafted, signed,  
and numbered in Arcata, CA



# HILLIARD



GLOSS ANTIQUE BRONZE  
CLEAR FROSTED GLASS

# HILLIARD

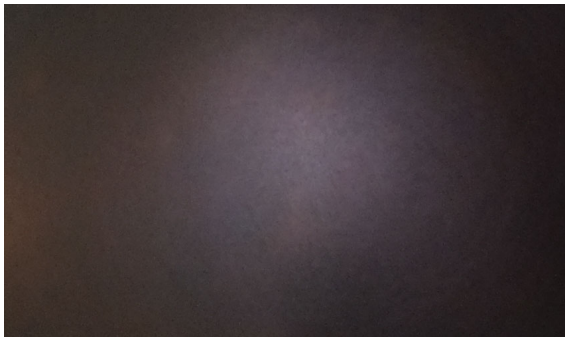


FINISHES SHOWN IN IMAGE:

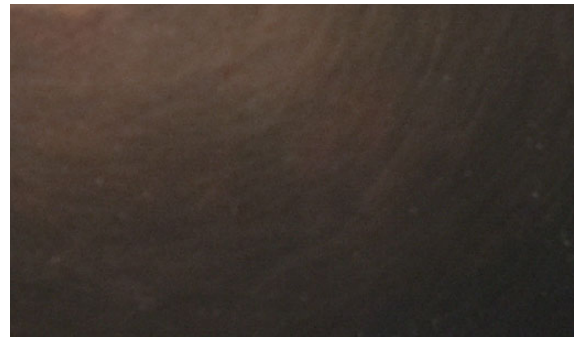
GLOSS ANTIQUE BRONZE  
CLEAR FROSTED GLASS

STANDARD FINISHES AVAILABLE

CONTACT  
INFO@HILLIARDLAMPS.COM  
FOR CUSTOM REQUESTS



MATTE ANTIQUE BRONZE



GLOSS ANTIQUE BRONZE



CLEAR FROSTED GLASS