



Cube Coffee Table, Type B, Gilded  
Visualization © STACKLAB

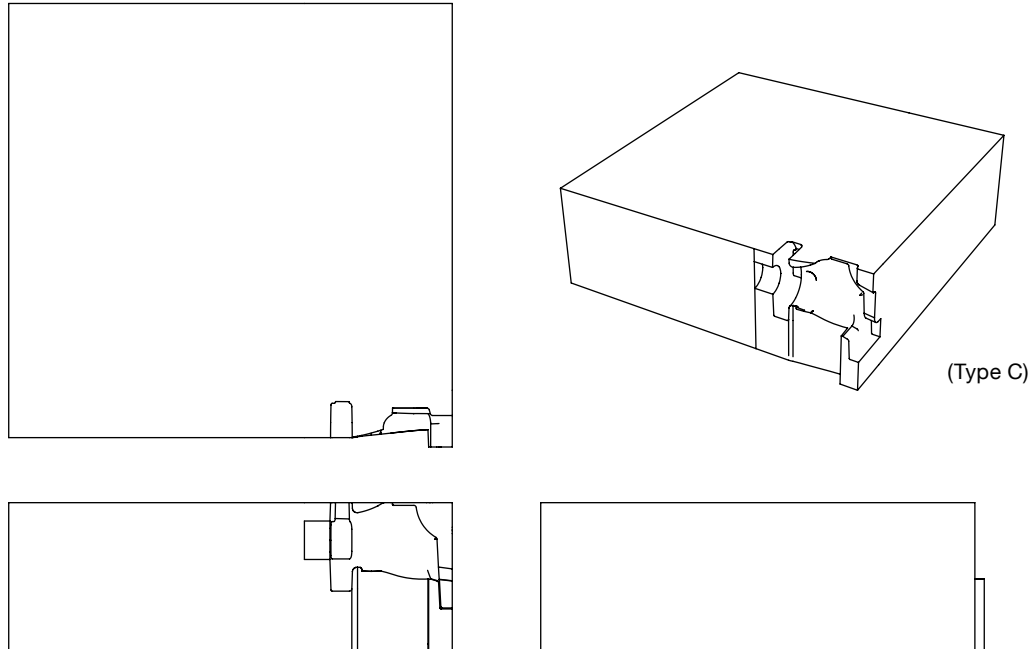
## Cube Collection | Coffee Table

STACKLAB

DENNIS MILLER NEW YORK

T 212.684.0070 [dennismiller.com](http://dennismiller.com)

## Cube Collection | Coffee Table



Expanding on the foundational concept, the Coffee Table incorporates quarter sections from the retired historic water pump wooden pattern into its enlarged molds. This brings four substantial, purpose-specific pieces to the collection. Cast in ECC, the 4 coffee table variations emphasize the collection's sustainability ethos by using over 80 percent non-virgin materials.

Celebrating its industrial lineage, the Industrial imprints on the console can be highlighted with a 24-karat gold gilding as an option.

### Dimension

- 36" W x 36" D x 16" H | Type A
- 36" W x 36" D x 16" H | Type B
- 36" W x 36" D x 16" H | Type C
- 36" W x 36" D x 16" H | Type D
- 48" W x 48" D x 16" H | Type A
- 48" W x 48" D x 16" H | Type B
- 48" W x 48" D x 16" H | Type C
- 48" W x 48" D x 16" H | Type D

### MATERIALS + FINISHES

#### ECC Finish Options:

- ECC | 1000 White
- ECC | 1000 Black
- ECC | Clean Grey
- ECC | Natural
- 24-Karat Gold (optional)

*Custom pigments available upon request*

#### Weight

- ~250-400 lbs. (Varies)

#### Lead Time

- 16-18 weeks

## Cube Collection | Coffee Table

### ECC Finish Options



ECC | 1000 White



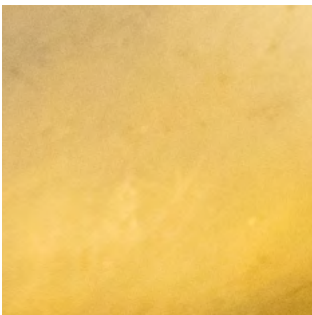
ECC | 1000 Black



ECC | Clean Grey



ECC | Natural



24-Karat Gold

*\*Please note that colors may vary between production runs.*