

ALTURA FURNITURE



Corinne Side Chair



Corinne Arm Chair



CORINNE CHAIR

23 1/2W x 23D x 35H

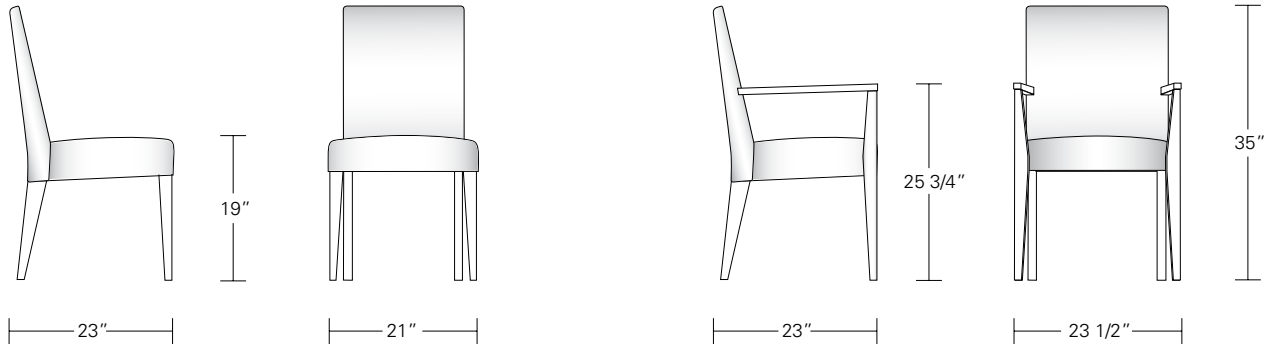
Shown in Cerused Walnut and COM.

Corinne Chairs—the ultimate expression of comfortable seating. The chair's gently curved back and its plush seat provide a truly pleasing sitting experience. Available in a variety of woods and finishes.

Altura Furniture, Inc. 3500 N Mississippi Avenue, Portland, OR 97227 TEL 503 288 2228 FAX 503 288 2555 WEB alturafurniture.com

DENNIS MILLER NEW YORK

DENNIS MILLER ASSOCIATES
700 Livingston Avenue, Suite 1210, New York, NY 10016
TEL 212.684.0070 FAX 212.684.0070 dennismiller.com
212.684.0070 Fax.212.684.0776 www.dennismiller.com



Corinne Side Chair

21"W x 23"D x 35"H

COM 1 1/2 yards plain fabric 54" wide
COL 27 sqft

Corinne Arm Chair

23 1/2"W x 23"D x 35"H

COM 1 1/2 yards plain fabric 54" wide
COL 27 sqft

DESCRIPTION		FINISH OPTIONS		
<p>Corinne Chair: Solid wood frame with upholstered seat and back.</p> <p>Standard Options: COM or COL .</p> <p>Custom Orders: Custom sizes, woods and finishes are available. Please request a price quotation.</p>	<p>Standard Finishes</p>	<p>NATURAL</p> <p>Ash, Cherry, Mahogany, Maple, Walnut, Claro Toned Walnut, Oak.*</p>	<p>STAINED</p> <p>Medium Ash, Dark Ash, Burnt Ash, Ebonized Ash, Medium Cherry, Dark Cherry, Medium Mahogany, Medium Walnut, Dark Walnut, Ebonized Walnut, Grey Walnut, Silver Walnut.</p>	<p>CERUSED</p> <p>Bleached Ash, Cerused Ash, Cerused Burnt Ash, Cerused Dark Ash, Cerused Mahogany, Cerused Dark Mahogany, Bleached Walnut, Cerused Walnut, Cerused Grey Walnut, Cerused Silver Walnut, Cerused Oak*.</p>
		<p>FABRIC AND LEATHER REQUIREMENTS</p> <p>COM: 1 1/2 yards for arm chair or side chair. 54" wide plain fabric. Repeats and fabric less than 54" wide may require additional yardage.</p> <p>COL: 27 square feet for arm chair or side chair. Hides need to be 50-55 square feet. Smaller hides may require additional square feet.</p>		