

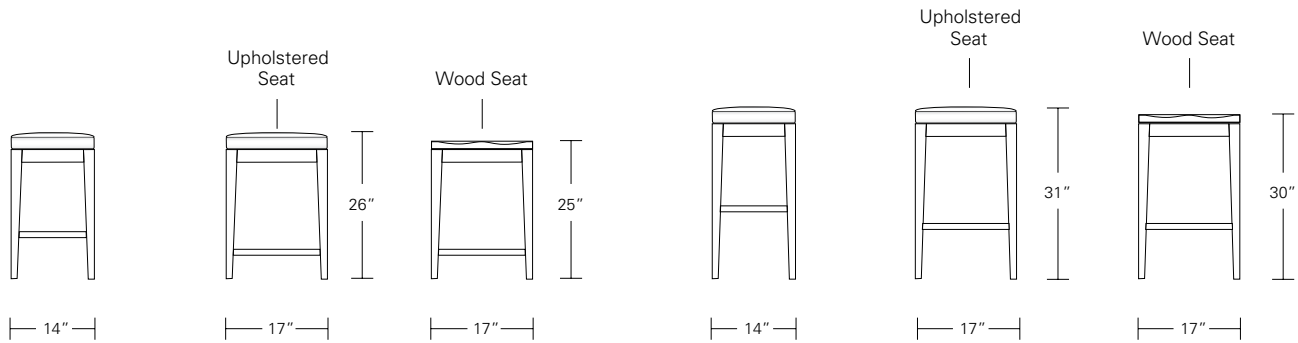


COMRADE STOOLS

17W x 14D x 25-26H

Shown in Walnut with COM.

Offered in both counter and bar heights, the versatile Comrade Stool is ideal for residential or hospitality settings. This streamlined stool features rounded leg corners and a brushed aluminum toe rail and comes with either a carved wooden seat or COL/COM upholstered cushion. Multiple finish options available.

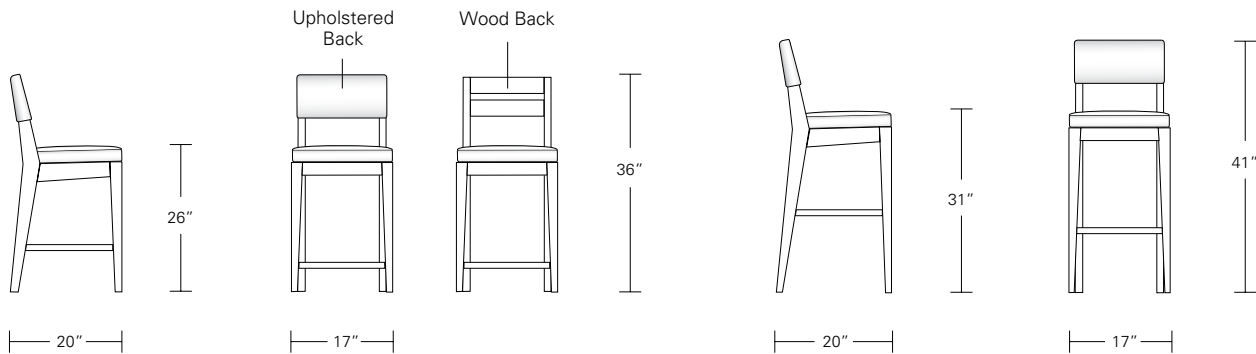


Comrade Counter Stool

17\"/>

Comrade Bar Stool

17\"/>



Cadet Counter Stool

17\"/>

Cadet Bar Stool

17\"/>

DESCRIPTION		FINISH OPTIONS		
<p>Comrade & Cadet Stool: Solid wood frame with upholstered or wood seat. Brushed aluminum toe rail.</p> <p>Standard Options: COM or COL. Upholstered or wood back. Seat and back with top stitching.</p> <p>Custom Orders: Custom sizes, woods and finishes are available. Please request a price quotation.</p>	<p>Standard Finishes</p>	<p>NATURAL</p> <p>Cherry, Mahogany, Maple, Walnut, Oak.*</p> <p>*At additional cost.</p>	<p>STAINED</p> <p>Medium Ash, Dark Ash, Burnt Ash, Ebonized Ash, Medium Cherry, Dark Cherry, Medium Mahogany, Ebonized Maple, Medium Walnut, Dark Walnut, Gray Walnut.</p>	<p>CERUSED</p> <p>Bleached Ash, Cerused Ash, Cerused Dark Ash, Cerused Burnt Ash, Bleached Walnut, Cerused Walnut, Cerused Grey Walnut, Cerused Mahogany, Cerused Dark Mahogany, Cerused Oak</p>
		<p>FABRIC AND LEATHER REQUIREMENTS</p> <p>COM: 1 yard for stool with upholstered back, 3/4 yard for stool with wood back. 54\"/> <p>COL: 18 sqft. for stool with upholstered back, 15 sqft. for stool with wood back. Hides need to be 50-55 square feet. Smaller hides may require additional square feet.</p> </p>		