

BERT FRANK



COLT

FINISHES

The solid brass metalwork is available in Bert Frank's four standard finishes: Brushed Brass, Antique Brass, Dark Bronze, Satin Nickel. The light shades are available in ten different colourways.

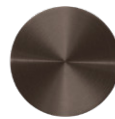
SOLID BRASS METALWORK



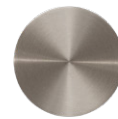
BRUSHED BRASS



ANTIQUE BRASS



DARK BRONZE



SATIN NICKEL

POWDER COAT FINISHES



TEXTURED
CREAM



TEXTURED
BLUE



TEXTURED
GREEN



TEXTURED
OXBLOOD



TEXTURED
BLACK



SATIN WHITE



SATIN DOVE



SATIN MUSTARD

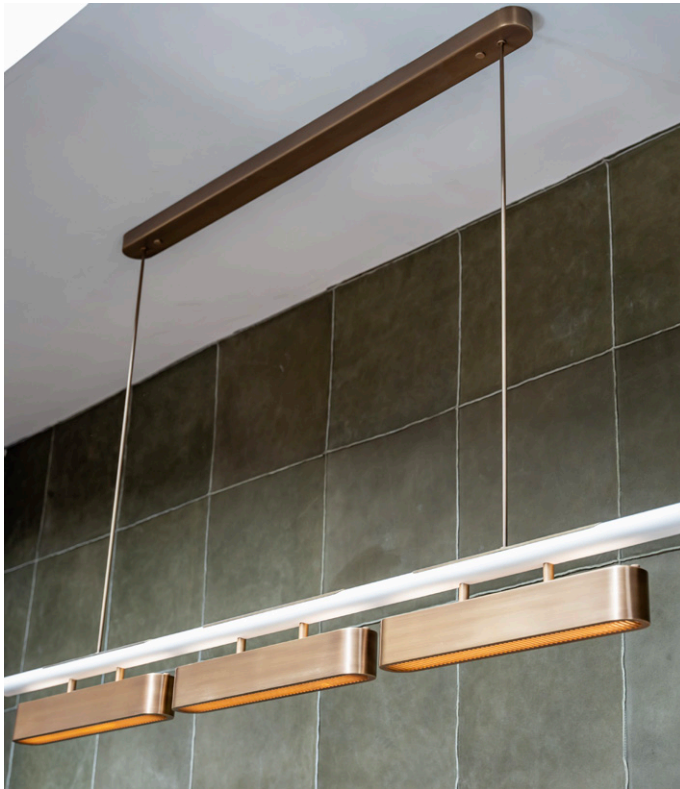


SATIN OLIVE



SATIN BLACK

PENDANT TRIPLE



MATERIALS

Brass | Powder coated bar

FINISHES

Standard finishes listed below
 Bespoke finishes available upon request
 Metalwork lacquered as standard

DIMMING

Mains dimmable | TRIAC as standard
 DALI | requires external driver

IP RATING

IP20 rated

LIGHT SOURCE

46.5 W | 4350lm | 24V | 2700k
 3 x 15.5 W LED Module | 1450lm

DRIVER

60W LED Integrated driver (ceiling plate)

DIMENSIONS

H to order | W 1404mm
 H to order | W 55.3in
 12kg | 26.4lbs

CEILING CANOPY

H55mm | W 960mm
 H 2.2in | W 37.8 in

SUSPENSION

2000mm | 78.7in Adjustable steel suspension
 cable with clear electrical cord as standard
 Additional length available
 Brass cord available

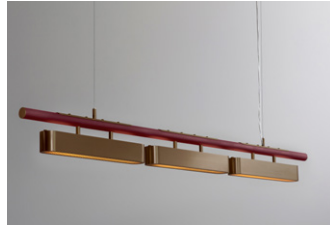
CUSTOM LENGTH

1 / 2 / 4 / 6 module custom pendant available

FINISHES



BRUSHED BRASS | TEXTURED BLACK



ANTIQUE BRASS | TEXTURED OXBLOOD

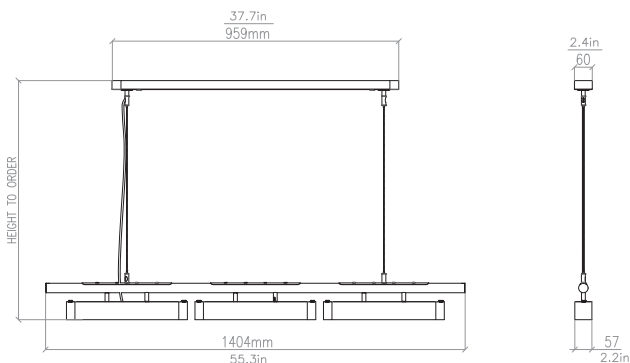


DARK BRONZE | TEXTURED CREAM



SATIN NICKEL | SATIN OLIVE

LINE DRAWINGS



BERT FRANK

+44 (0) 207 164 6482 | sales@bertfrank.co.uk
www.bertfrank.co.uk | 67 Farringdon Road, London EC1M 3JB, UK