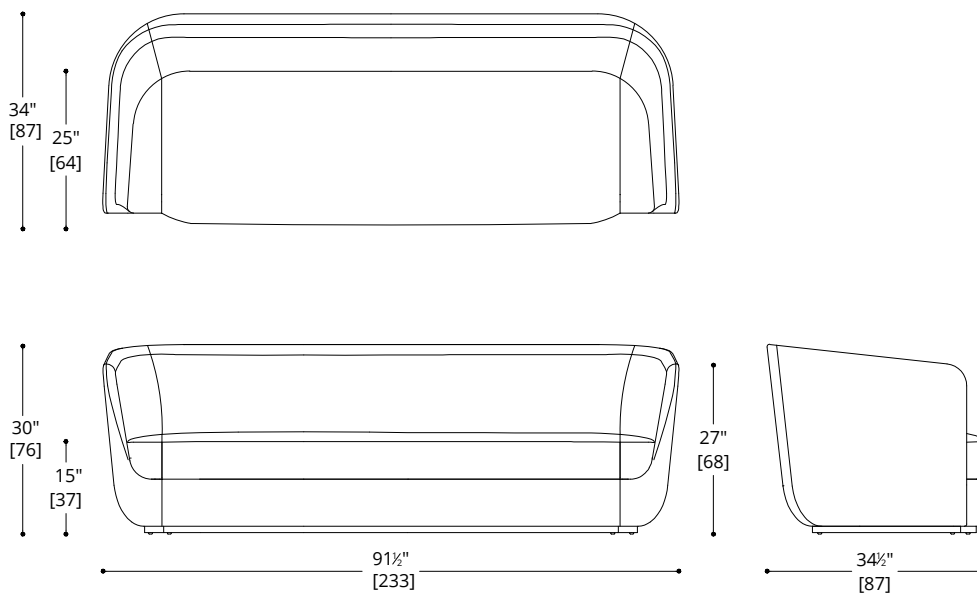


ATELIER PURCELL

CLASP SOFA

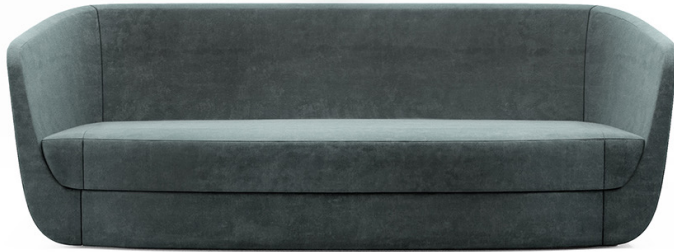


ATELIER PURCELL

CLASP SOFA

COM Required: Sofa: 13.7 m [15 yd]

COL Required: Sofa: 25.1 m² [270 ft²]



NOTES:

PLEASE CONFIRM DETAILS OF THIS TEAR SHEET WITH YOUR LOCAL SALES ASSOCIATE.

Alexander Purcell Rodrigues Design reserves the right to make technological and aesthetic improvements to its models, including changes to the sizes and materials, without notice. The technical drawings do not define the details of the product. The measurements shown are indicative and may undergo changes. In particular, the dimensions relevant to the padded parts are subject to usage tolerances over time caused by the normal adjustment of the padding. For specific information, please contact us directly or the dealer closest to you.

ALL DESIGNS ARE PROTECTED BY COPYRIGHT AND THE TRADEMARK LAWS OF THE U.S. & U.K - 2018 ATELIER PURCELL AN ALEXANDER PURCELL RODRIGUES DESIGN COMPANY - INFO@ATELIERPURCELL.COM