

ALTURA FURNITURE



Side Chair with wood back



Side Chair



Arm Chair



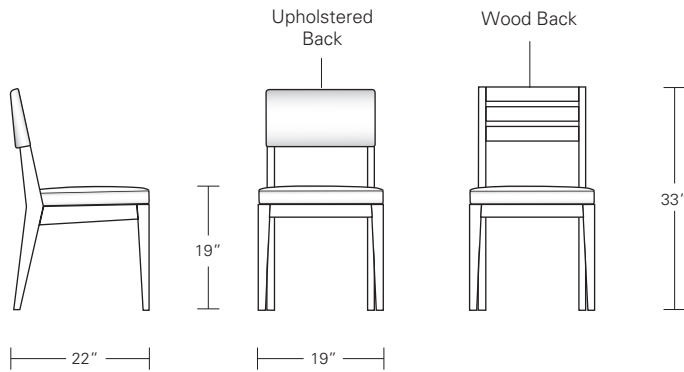
CHEVRON CHAIR

23 1/2W x 23D x 35H

Shown in Dark Walnut with leather upholstery.

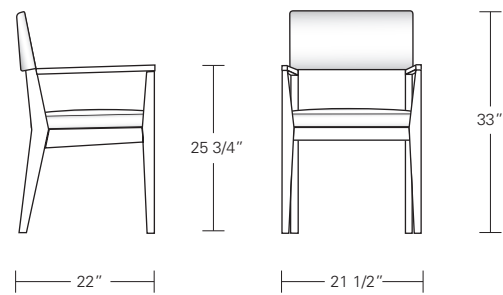
Mid-century design resonates in these stylish chairs, with their tapered, angular legs and softly-profiled backs. Available as side or arm chairs, with upholstered or slat backs, in several woods and finishes.

CADET CHAIR & CHEVRON CHAIR



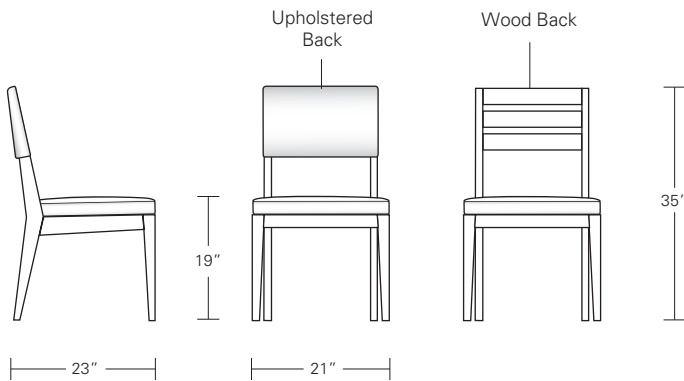
Cadet Chair

19"W x 22"D x 33"H



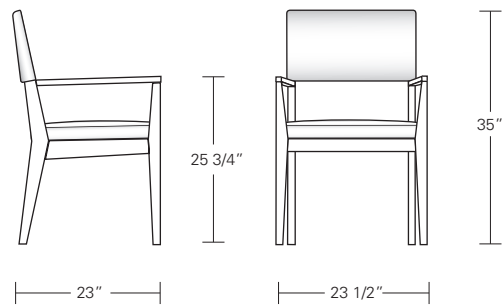
Cadet Arm Chair

21 1/2"W x 22"D x 33"H



Chevron Chair

21"W x 23"D x 35"H



Chevron Arm Chair

23 1/2"W x 23"D x 35"H

DESCRIPTION		FINISH OPTIONS		
<p>Cadet & Chevron Chair: Solid wood frame with upholstered seat. Brushed aluminum toe rail on stool.</p> <p>Standard Options: COL or COM. Upholstered or wood back. Seat and back with top stitching.</p> <p>Custom Orders: Custom sizes, woods and finishes are available. Please request a price quotation.</p>	<p>Standard Finishes</p>	<p>NATURAL</p> <p>Ash, Cherry, Mahogany, Maple, Walnut, Oak.*</p> <p>*At additional cost.</p>	<p>STAINED</p> <p>Medium Ash, Dark Ash, Burnt Ash, Ebonized Ash, Medium Cherry, Dark Cherry, Medium Mahogany, Ebonized Maple, Medium Walnut, Dark Walnut, Grey Walnut.</p>	<p>CERUSED</p> <p>Bleached Ash, Cerused Ash, Cerused Dark Ash, Cerused Mahogany, Cerused Dark Mahogany, Cerused Oak, Bleached Walnut, Cerused Walnut, Cerused Grey Walnut.</p>
		<p>FABRIC AND LEATHER REQUIREMENTS</p> <p>COM: 1 yard for stool with upholstered back, 3/4 yard for stool with wood back. 54" wide plain fabric. Repeats and fabric less than 54" wide may require additional yardage.</p> <p>COL: 18 sqft. for stool with upholstered back, 15 sqft. for stool with wood back. Hides need to be 50-55 square feet. Smaller hides may require additional square feet.</p>		