



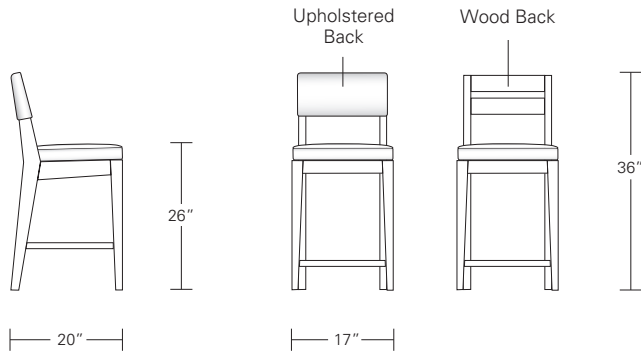
CADET BAR STOOLS

17W x 20D x 41H

Shown in Dark Walnut in COL.

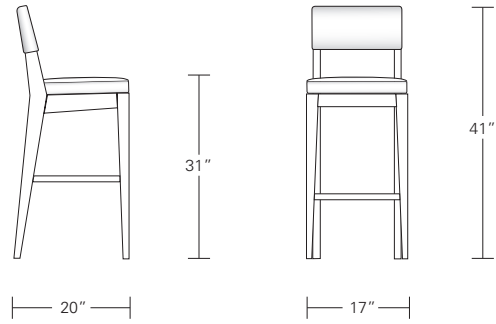
The wood framed Cadet Stool follows the design styling of the full-sized Chevron Stool, but in a more space-conscious way. While the Cadet's comfort is based on the Chevron's seat depth, its more narrow width is a perfect solution for limited counter space.

CADET STOOL & CHEVRON STOOL



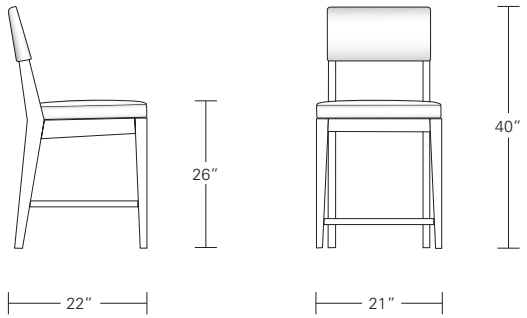
Cadet Counter Stool

17"W x 20"D x 36"H



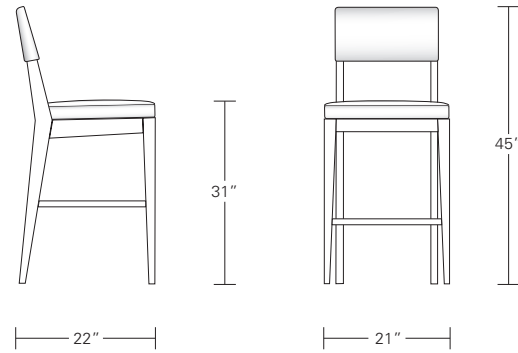
Cadet Bar Stool

17"W x 20"D x 41"H



Chevron Counter Stool

21"W x 22"D x 40"H



Chevron Bar Stool

21"W x 22"D x 45"H

DESCRIPTION		FINISH OPTIONS		
<p>Cadet & Chevron Stool: Solid wood frame with upholstered seat. Brushed aluminum toe rail on stool.</p> <p>Standard Options: COM or COL. Upholstered or wood back. Seat and back with top stitching.</p> <p>Custom Orders: Custom sizes, woods and finishes are available. Please request a price quotation.</p>	<p>Standard Finishes</p>	<p>NATURAL</p> <p>Ash, Cherry, Mahogany, Maple, Walnut, Oak.*</p> <p>*At additional cost.</p>	<p>STAINED</p> <p>Medium Ash, Dark Ash, Burnt Ash, Ebonized Ash, Medium Cherry, Dark Cherry, Medium Mahogany, Ebonized Maple, Medium Walnut, Dark Walnut.</p>	<p>CERUSED</p> <p>Bleached Ash, Cerused Ash, Cerused Dark Ash, Cerused Mahogany, Cerused Dark Mahogany, Cerused Oak, Bleached Walnut, Cerused Walnut.</p>
		<p>FABRIC AND LEATHER REQUIREMENTS</p> <p>COM: 1 yard for stool with upholstered back, 3/4 yard for stool with wood back. 54" wide plain fabric. Repeats and fabric less than 54" wide may require additional yardage.</p> <p>COL: 18 sqft. for stool with upholstered back, 15 sqft. for stool with wood back. Hides need to be 50-55 square feet. Smaller hides may require additional square feet.</p>		