

# ALTURA FURNITURE



The Cadet Chair is a scaled down version of our Chevron Chair

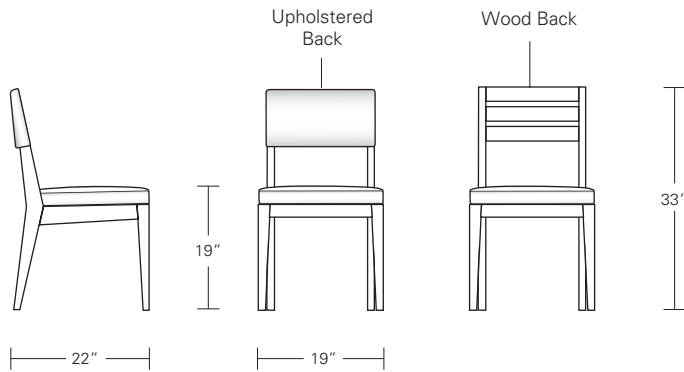


## CADET CHAIR

SIDE: 19 x 22 x 33, ARM: 21 1/2 x 22 x 33

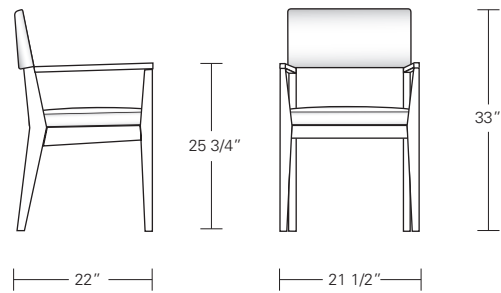
Shown in Dark Walnut and COM

The wood framed Cadet Chair follows the design styling of the full-sized Chevron Chair, but in a more space conscious way. While the Cadet's comfort is based on the Chevron's seat depth, it's more narrow width is a perfect solution for smaller scaled seating criteria.



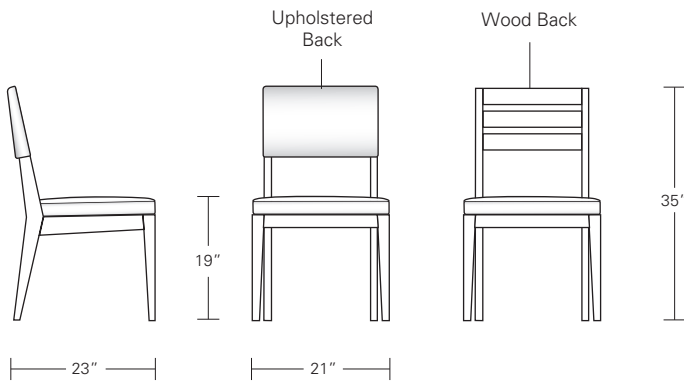
**Cadet Chair**

19"W x 22"D x 33"H



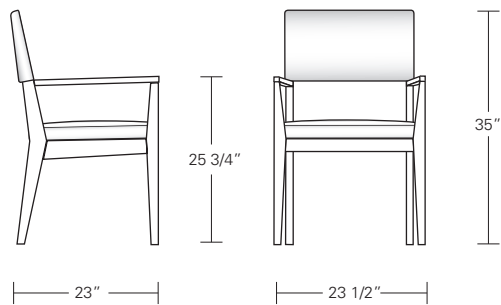
**Cadet Arm Chair**

21 1/2"W x 22"D x 33"H



**Chevron Chair**

21"W x 23"D x 35"H



**Chevron Arm Chair**

23 1/2"W x 23"D x 35"H

DESCRIPTION		FINISH OPTIONS		
<p><b>Cadet &amp; Chevron Chair:</b> Solid wood frame with upholstered seat. Brushed aluminum toe rail on stool.</p> <p><b>Standard Options:</b> COL or COM. Upholstered or wood back. Seat and back with top stitching.</p> <p><b>Custom Orders:</b> Custom sizes, woods and finishes are available. Please request a price quotation.</p>	<p><b>Standard Finishes</b></p>	<p><b>NATURAL</b></p> <p>Ash, Cherry, Mahogany, Maple, Walnut, Oak.*</p> <p>*At additional cost.</p>	<p><b>STAINED</b></p> <p>Medium Ash, Dark Ash, Burnt Ash, Ebonized Ash, Medium Cherry, Dark Cherry, Medium Mahogany, Ebonized Maple, Medium Walnut, Dark Walnut, Grey Walnut.</p>	<p><b>CERUSED</b></p> <p>Bleached Ash, Cerused Ash, Cerused Dark Ash, Cerused Mahogany, Cerused Dark Mahogany, Cerused Oak, Bleached Walnut, Cerused Walnut, Cerused Grey Walnut.</p>
		<p><b>FABRIC AND LEATHER REQUIREMENTS</b></p> <p><b>COM:</b> 1 yard for stool with upholstered back, 3/4 yard for stool with wood back. 54" wide plain fabric. Repeats and fabric less than 54" wide may require additional yardage.</p> <p><b>COL:</b> 18 sqft. for stool with upholstered back, 15 sqft. for stool with wood back. Hides need to be 50-55 square feet. Smaller hides may require additional square feet.</p>		