

BERT FRANK



BERAN

FINISHES

A curated selection of finishes, colours, and textures is available for all elements of the lighting pieces, offering endless possibilities to complement any interior design scheme. These options allow for complete creative freedom, enabling each piece to be customised to reflect the distinct aesthetic of a project.

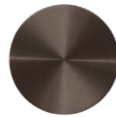
SOLID BRASS METALWORK



BRUSHED BRASS



ANTIQUÉ BRASS



DARK BRONZE



SATIN NICKEL

POWDER COAT FINISHES



TEXTURED
CREAM



TEXTURED
BLUE



TEXTURED
GREEN



TEXTURED
OXBLOOD



TEXTURED
BLACK



SATIN WHITE



SATIN DOVE



SATIN MUSTARD



SATIN OLIVE



SATIN BLACK

STONE



ALABASTER

CHANDELIER 4



MATERIALS

Brass | Alabaster

FINISHES

Standard finishes listed below
Bespoke finishes available upon request
Metalwork lacquered as standard

DIMMING

Mains dimmable | TRIAC

IP RATING

IP20 rated

LIGHT SOURCE

4 x 6W | 2400lm (source) | 2700k | CRI>90
Integrated 110/240V Mains LED

DIMENSIONS

Small | Height to order | Ø 260mm
Height to order | Ø 10.2in
4.2kg | 9lbs

Large | Height to order | Ø 360mm
Height to order | Ø 14.2in
6.4kg | 14lbs

Chandelier 4 | 25kg | 55lbs

CEILING CANOPY

Round matching finish plate
35mm H | Ø 500mm
1.4in H | Ø 19.7in

SUSPENSION

Custom length solid brass drop rods supplied
Total drop length to be specified upon order
Bespoke hanging formations available
Included up to 1520mm/60in

FINISHES



BRUSHED BRASS



ANTIQUÉ BRASS

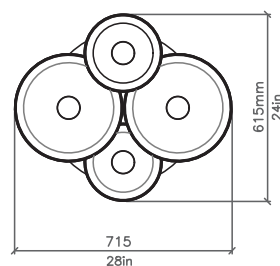
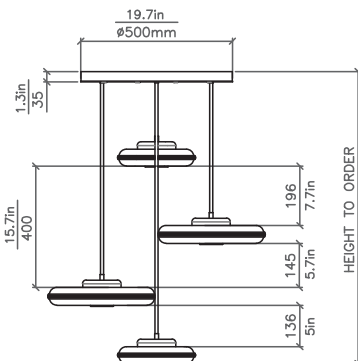


DARK BRONZE



SATIN NICKEL

LINE DRAWINGS



BERT FRANK

+44 (0) 207 164 6482 | sales@bertfrank.co.uk
www.bertfrank.co.uk | 67 Farringdon Road, London EC1M 3JB, UK