

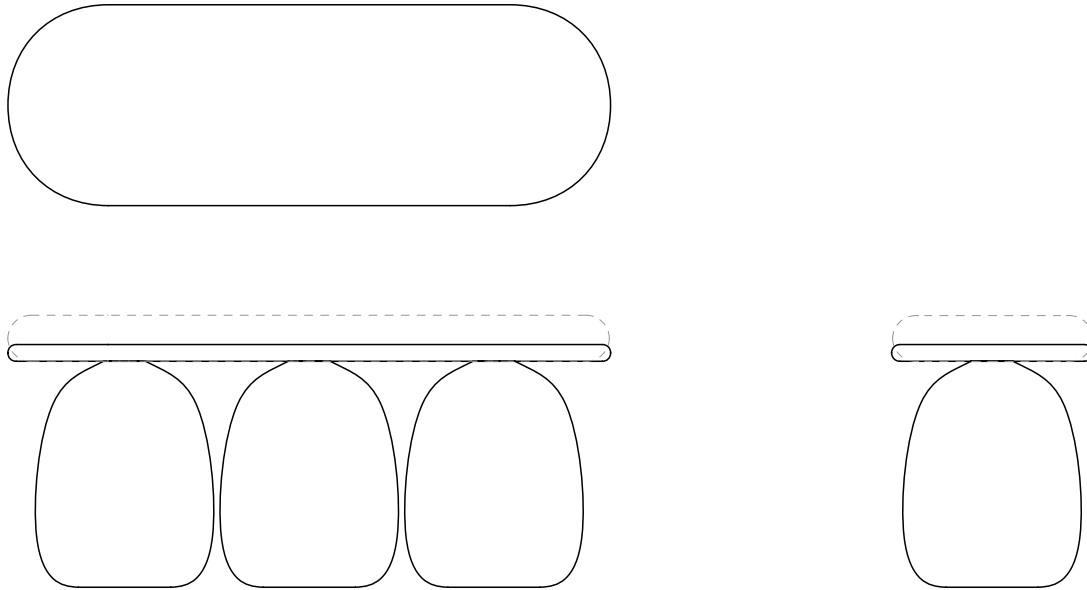


Ash Console, Two Legs
Visualization © STACKLAB

Ash Collection | Console

STACKLAB

Ash Collection | Console



As a continuation of the Ash Collection, STACKLAB introduces a console made exclusively from Ontario's diseased Ashwood. Drawing from the collection's signature base geometry, this table features tops shaped from joined ash-wood boards, a design choice that diverts fallen trees from landfills and minimizes waste. In alignment with the core collection's sustainability principles, all materials are sourced and the product is manufactured within a 150-mile radius of the STACKLAB studio, underscoring the brand's commitment to local craftsmanship and reduced environmental impact.

MATERIALS + FINISHES

Ash Wood Finish Options:

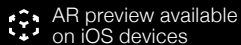
- Ebony Tinted Hard Wax Oil
- Granite Grey Tinted Hard Wax Oil
- Silk Grey Tinted Hard Wax Oil
- Oak Antique Tinted Hard Wax Oil
- Clear Tinted Hard Wax Oil
- White Tinted Hard Wax Oil

Weight

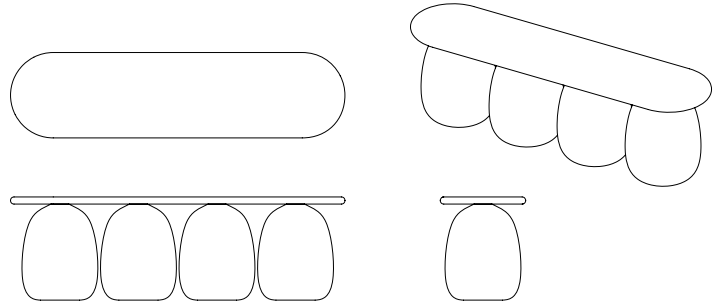
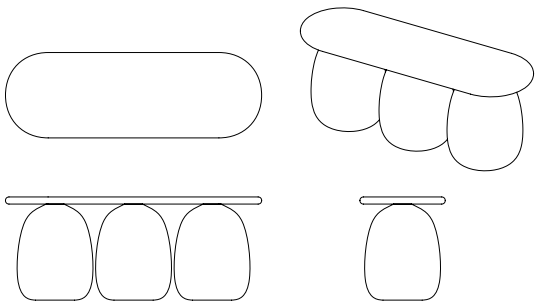
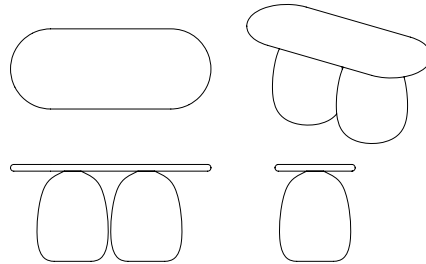
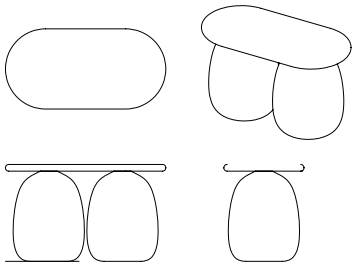
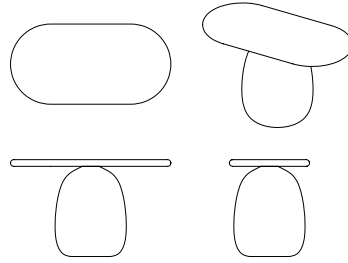
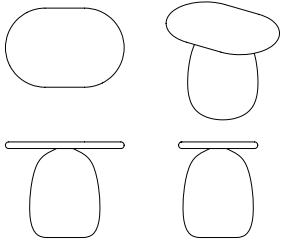
- ~150-500 lbs. (Varies)

Lead Time

- 16-18 weeks



Ash Collection | Console



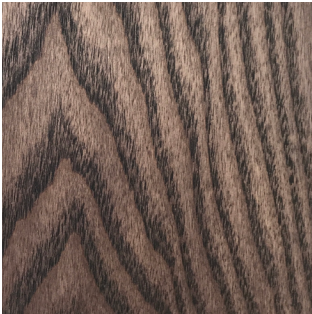
Dimensions

- 36" W x 24" D x 29" H
- 40" W x 24" D x 29" H
- 42" W x 24" D x 29" H
- 48" W x 24" D x 29" H
- 48" W x 24" D x 29" H | Two Pedestals
- 60" W x 24" D x 29" H | Two Pedestals
- 72" W x 24" D x 29" H | Three Pedestals
- 94" W x 24" D x 29" H | Four Pedestals

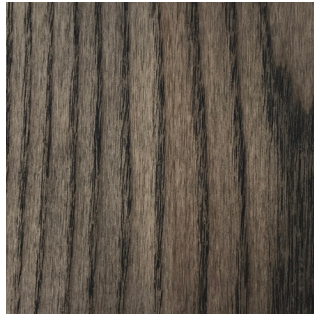
- 36" W x 24" D x 32 1/2" H
- 40" W x 24" D x 32 1/2" H
- 42" W x 24" D x 32 1/2" H
- 48" W x 24" D x 32 1/2" H
- 48" W x 24" D x 32 1/2" H | Two Pedestals
- 60" W x 24" D x 32 1/2" H | Two Pedestals
- 72" W x 24" D x 32 1/2" H | Three Pedestals
- 94" W x 24" D x 32 1/2" H | Four Pedestals

Ash Collection | Console

Ash Wood Finish Options



Ebony Tinted Hard Wax Oil



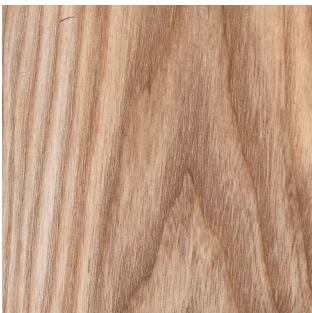
Granite Grey Tinted Hard Wax Oil



Silk Grey Tinted Hard Wax Oil



Oak Antique Tinted Hard Wax Oil



Clear Tinted Hard Wax Oil



White Tinted Hard Wax Oil

**Please note that colors may vary between production runs.*

**Please note that Ash bases are subject to natural cracking as they acclimatize to their new surroundings due to the fact that they are turned from solid logs.*