

## TUYA SECTIONAL SOFA



## TUYA SECTIONAL SOFA

### FEET

Lacquer,  
Standard Wood

### COM Required:

COM requirements are located on alongside their specification drawings.

### COL Required:

COL requirements are located on alongside their specification drawings.

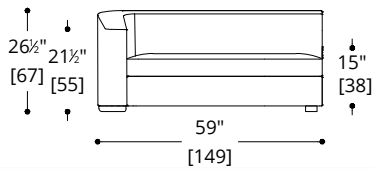
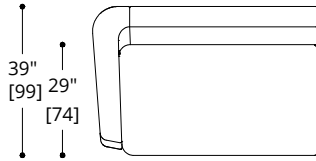


### NOTES:

PLEASE CONFIRM DETAILS OF THIS TEAR SHEET WITH YOUR LOCAL SALES ASSOCIATE.

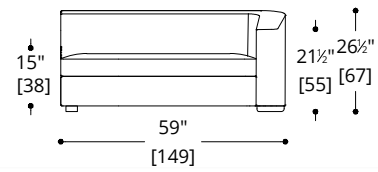
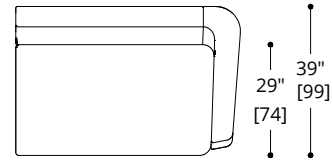
## TUYA SECTIONAL SOFA, Components

TY-SSE-O1L

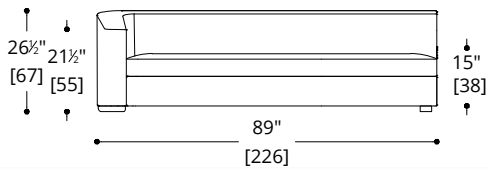
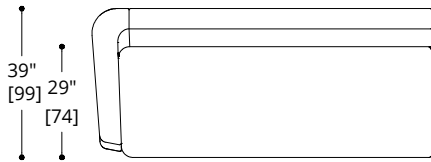


COM Required:  
 Base 8.5 yd  
 Seat 4 yd  
 COL Required:  
 Base 153 ft<sup>2</sup>  
 Seat 72 ft<sup>2</sup>  
 pillow COM/L not included

TY-SSE-O1L

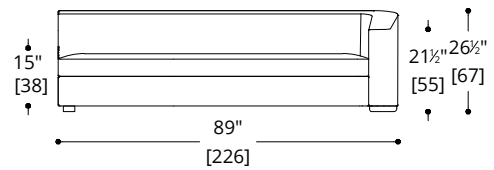
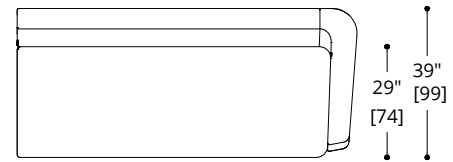


TY-SSE-O2L

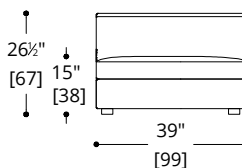
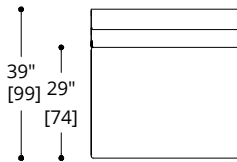


COM Required:  
 Base 10 yd  
 Seat 5 yd  
 COL Required:  
 Base 180 ft<sup>2</sup>  
 Seat 90 ft<sup>2</sup>  
 pillow COM/L not included

TY-SSE-O2L

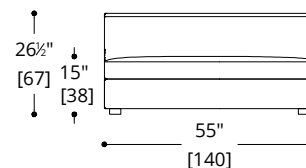
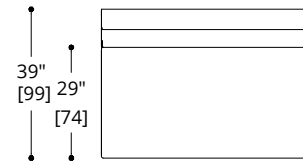


TY-SCE-O1



TY-SCE-O1  
 COM Required  
 Base 6 yd  
 Seat 3.5 yd  
 COL Required:  
 Base 108 ft<sup>2</sup>  
 Seat 63 ft<sup>2</sup>  
 pillow COM/L not included

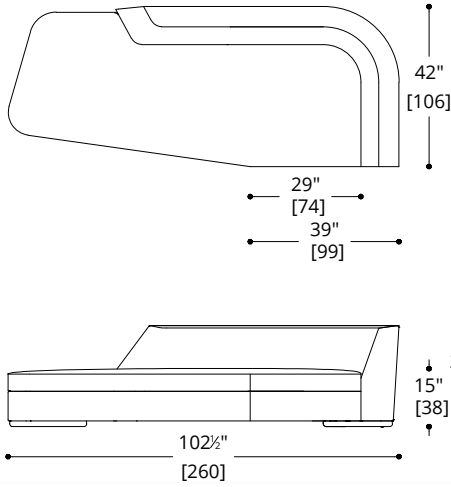
TY-SCE-O2



TY-SCE-O2  
 COM Required  
 Base 7 yd  
 Seat 4 yd  
 COL Required:  
 Base 126 ft<sup>2</sup>  
 Seat 72 ft<sup>2</sup>  
 pillow COM/L not included

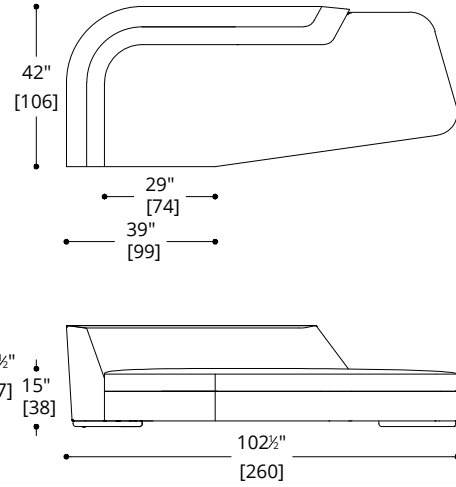
## TUYA SECTIONAL SOFA, Components

TY-SCL-O1L



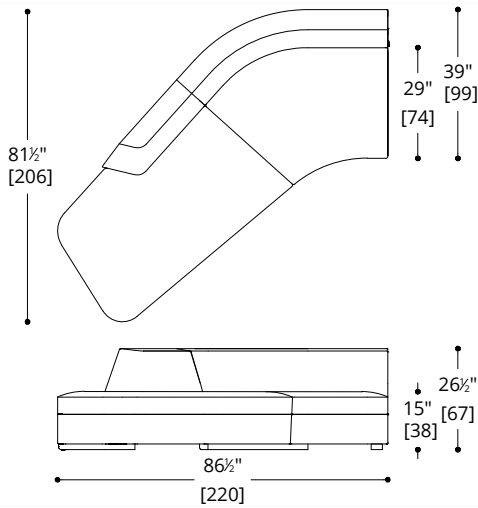
COM Required:  
 Base 11 yd  
 Seat 5.5 yd  
 COL Required:  
 Base 198 ft<sup>2</sup>  
 Seat 99 ft<sup>2</sup>

TY-SCL-O1R



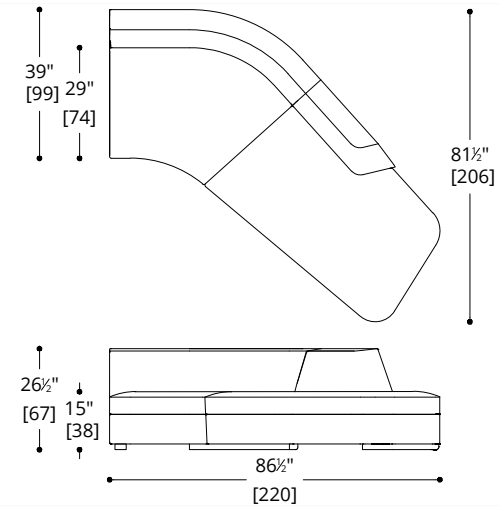
pillow COM/L not included

TY-SCL-O2L

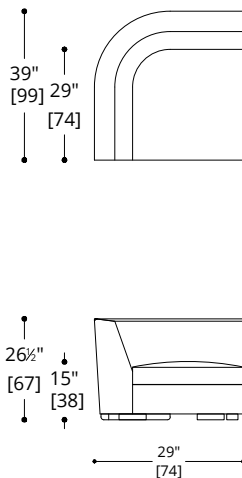


COM Required:  
 Base 13.5 yd  
 Seat 7 yd  
 COL Required:  
 Base 243 ft<sup>2</sup>  
 Seat 126 ft<sup>2</sup>  
 pillow COM/L not included

TY-SCL-O2R



TY-SCO-01



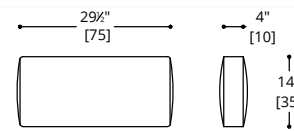
COM Required:  
 Base 6.5 yd  
 Seat 3.5 yd  
 COL Required:  
 Base 117 ft<sup>2</sup>  
 Seat 63 ft<sup>2</sup>  
 pillow COM/L not included

BACK CUSHION (each)  
 COM Required: 2 yd  
 COL Required: 36 ft<sup>2</sup>

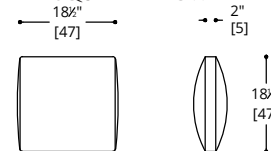
SQUARE PILLOW (each)  
 COM Required: 1.5 yd  
 COL Required: 27 ft<sup>2</sup>

KNIFE PILLOW (each)  
 COM Required: 1.5 yd  
 COL Required: 27 ft<sup>2</sup>

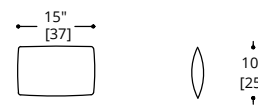
BACK CUSHION



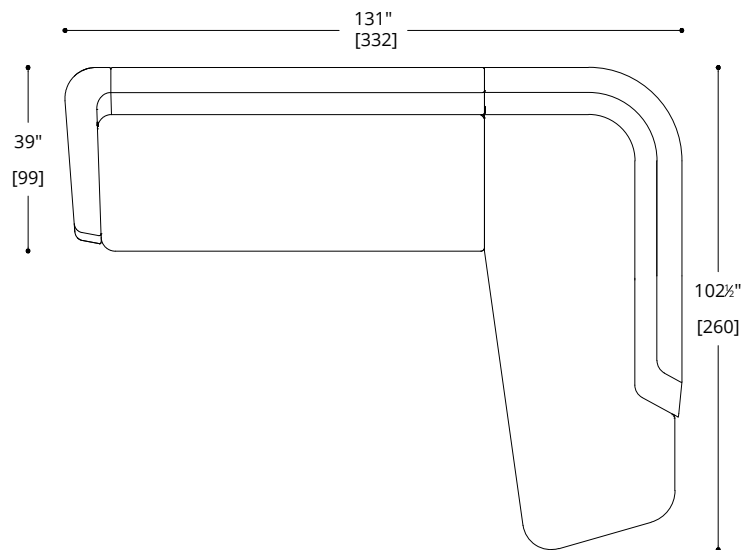
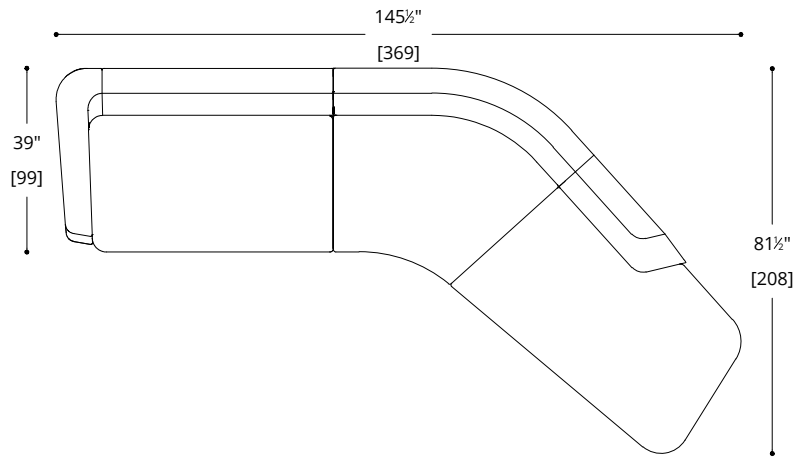
SQUARE PILLOW



KNIFE PILLOW



## TUYA SECTIONAL SOFA, Components



## TUYA SECTIONAL SOFA, Components

