



Shown: 10"Ø model with rigid stem and 5"Ø model with ball chain, both in Opal white glass.

SPOKE SUSPENSION

MODEL NUMBER
2820

DESCRIPTION

Steel body, mold blown glass shade, ball chain or rigid stem suspension.

FINISH

Deep brown oxide or Deep black oxide.
Not available in Satin nickel.

MOLD BLOWN GLASS

Helbeige, Opal white, Quicksilver or Woodsmoke.

| DIMENSIONS | MIN OAL | NET WT |
|------------------------------|--------------|--------|
| 2820.5 | | |
| 5"Ø x 10.5"H | 13" Min. OAL | 5 lbs. |
| Ceiling plate: 4.5"Ø x .25"D | | |

| | | |
|------------------------------|--------------|---------|
| 2820.10 | | |
| 10"Ø x 15.5"H | 18" Min. OAL | 15 lbs. |
| Ceiling Plate: 4.5"Ø x .25"D | | |

VOLTAGE / LAMP TYPE

2820.5
120V, 8.5W, E26 base, T12 LED filament lamp.
2,700°K, 90 CRI, 800 lumens.

2820.10
120V, 17W, E26 base, A21 LED lamp, frosted.
2,700°K, 92 CRI, 1,600 lumens.

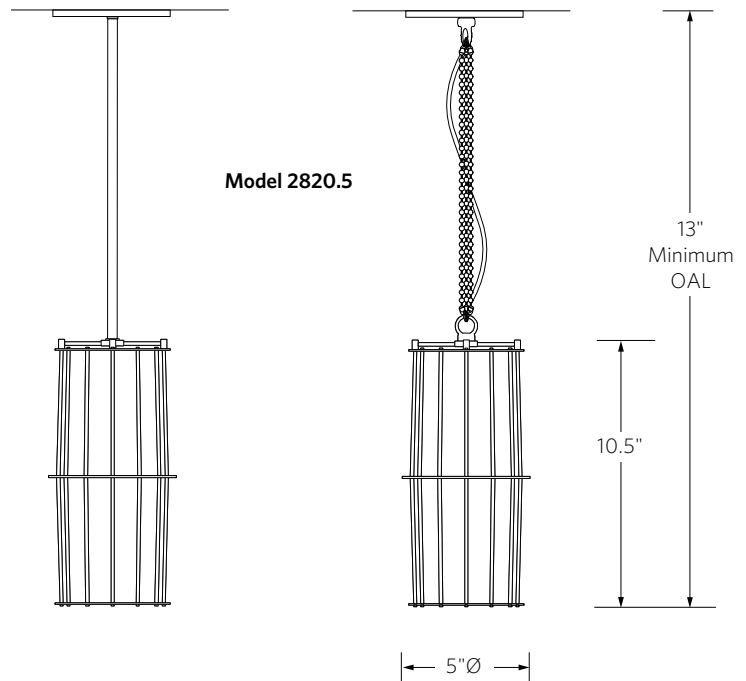
CA Title 24-JA8-2019-E

PLEASE SPECIFY

Size, finish & shade color, type of suspension and OAL.
Net price includes stem or ball chain for an OAL of up to 48". Refer to price book for additional chain or stem length. Ball chain OAL can be shortened in the field at installation.

RIGID STEM

BALL CHAIN



RIGID STEM

BALL CHAIN

