



Shown: 42"Ø model in Silver anodized and clear glass.

MODEL NUMBER
4420

DESCRIPTION
Anodized aluminum frame with cut glass facets.
Internal silver reflectors of polished aluminum.
Cable suspension.

FINISH
Deep bronze anodized or Silver anodized.

KILN FORMED GLASS
Clear, Opal white, Pale gold or Sand.

DIMENSIONS
Available in 8 sizes. Note number of polygon segments. Ceiling Plate is 4.5"Ø x .25"D

PLEASE SPECIFY
Size, finish, glass color and OAL. Please select suspension type:
Option 1 (straight cables; off center j-box), or
Option 2 (angled cables; center j-box).

Minimum OAL varies with suspension option (see table below).

VOLTAGE / LAMP TYPE
Integrated LED, 24V, 97 CRI Ra / 94 CRI R9 / 94 TM30 Rf / 102 TM30 Rg. 30,000 hr.

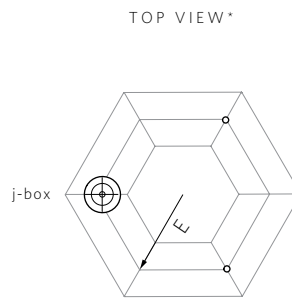
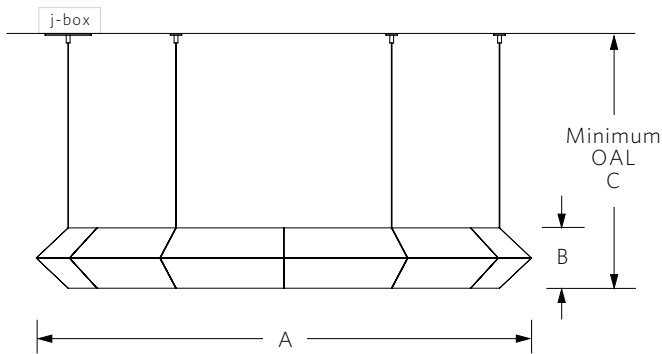
Clear and Sand: 2,400°K
Opal white and Pale gold: 2,700°K

120V to 24V dimmable driver included.
Must be located in remote cubby / crawl space.
Recommend magnetic low voltage dimmer (Lutron SLV-600P or similar).

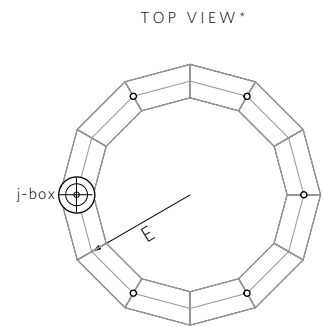
See specific LED specs for each model in table below.

CA Title 24-JA8-2016

Suspension Option 1 - 3, 4 or 6 individual cables for off-center j-box

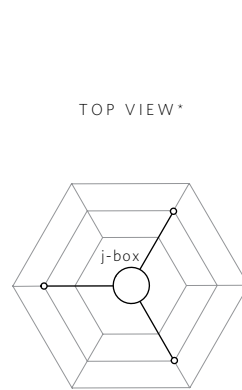
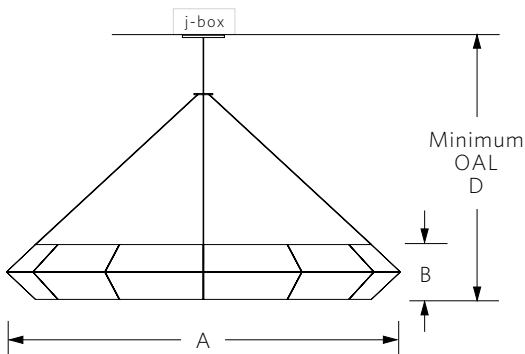


*Smaller Diameters use 3 cables (24", 30", 36")

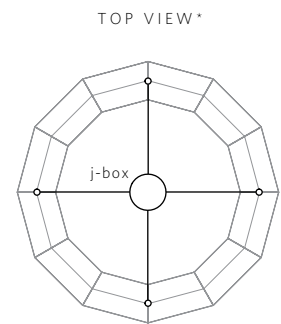
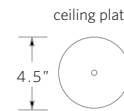


*Larger Diameters use 4 or 6 cables (42", 48", 54", 60", 72")

Suspension Option 2 - 3,4 or 6 cables joined to 1, for center j-box



*Smaller Diameters use 3 cables (24", 30", 36")



*Larger Diameters use 4 or 6 cables (42", 48", 54", 60", 72")

Prism Suspension	Polygon segments / Number of cables	A	B	C	D	E	Net Wt	Voltage / Lamping
Model: 4420.24.6	6 sided / 3 cables	24"	6"	10"	16"	8.75"	24 lbs.	24V, 40W, 2,400°K/3,240 lumens, 2,700°K/3,384 lumens
Model: 4420.30.6	6 sided / 3 cables	30"	6"	10"	18"	11.75"	28 lbs.	24V, 70W, 2,400°K/5,670 lumens, 2,700°K/5,922 lumens
Model: 4420.36.6	6 sided / 3 cables	36"	6"	10"	20"	14.75"	34 lbs.	24V, 100W, 2,400°K/8,100 lumens, 2,700°K/8,460 lumens
Model: 4420.42.12	12 sided / 4 cables	42"	6"	10"	24"	17.875"	42 lbs.	24V, 120W, 2,400°K/9,720 lumens, 2,700°K/10,152 lumens
Model: 4420.48.12	12 sided / 6 cables	48"	6"	10"	26"	21"	48 lbs.	24V, 140W, 2,400°K/11,340 lumens, 2,700°K/11,844 lumens
Model: 4420.54.12	12 sided / 6 cables	54"	6"	10"	30"	24"	54 lbs.	24V, 180W, 2,400°K/14,588 lumens, 2,700°K/15,288 lumens
Model: 4420.60.12	12 sided / 6 cables	60"	6"	10"	32"	27"	60 lbs.	24V, 200W, 2,400°K/16,200 lumens, 2,700°K/16,920 lumens
Model: 4420.72.12	12 sided / 6 cable	72"	6"	10"	38"	33"	70 lbs.	24V, 240W, 2,400°K/21,060 lumens, 2,700°K/21,996 lumens

Note: For suspension option 1, j-box can be located at any point along radius path E (see table and illustration above). 2, 3 or 5 appropriate ceiling anchors must be installed for remaining cables. Anchors must be sufficient to support 25% of fixture weight. For suspension option 2, j-box must be blocked sufficiently to support full fixture weights.

*2,400°K LED used with Clear and Sand. 2,700°K LED used with Opal white and Pale gold.