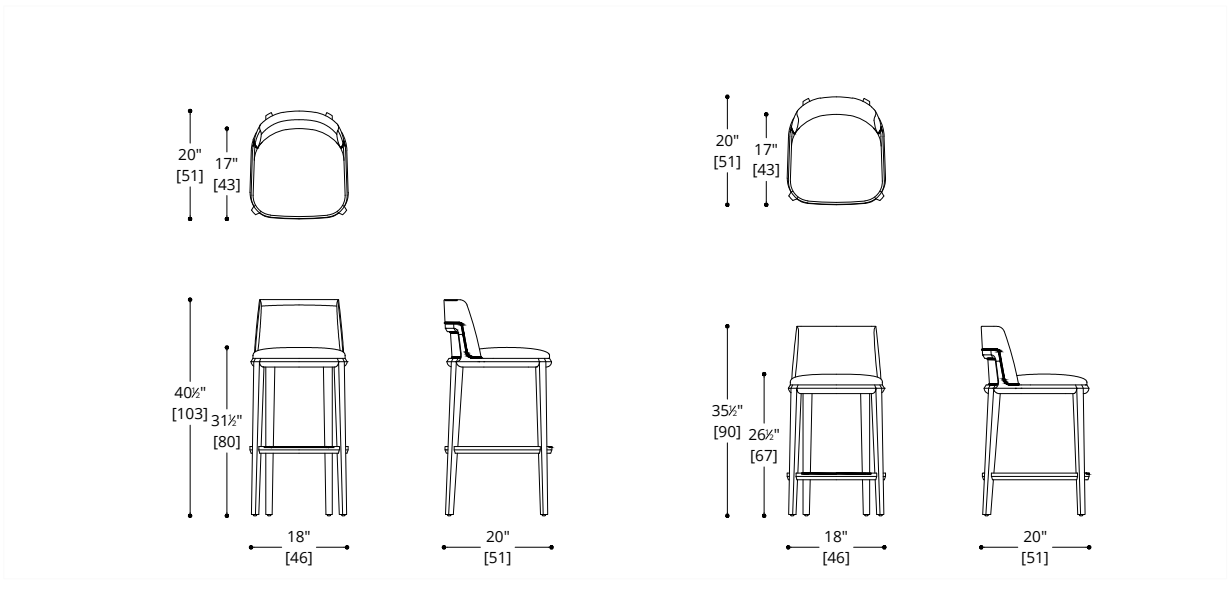


ATELIER PURCELL

HENLEY COUNTER & BAR STOOL



ATELIER PURCELL

HENLEY COUNTER & BAR STOOL

LEGS

Standard Wood

COUNTER STOOL

COM Required: 2.7 m [3 yd]

COL Required: 5 m² [54 ft²]

BAR STOOL

COM Required: 2.7 m [3 yd]

COL Required: 5 m² [54 ft²]

ROLLING STOCK FRAME OPTIONS:

NATURAL WANLUT (NW08) /
NORDIC OAK (NO16) / ONYX OAK
(OO15).

ALL OTHER STANDARD WOOD
FINISHES MINIMUM ORDER
QUANTITY: 3 - LEAD TIME 14-18
WEEKS.



NOTES:

PLEASE CONFIRM DETAILS OF THIS TEAR SHEET WITH YOUR LOCAL SALES ASSOCIATE.

DENNIS MILLER NEW YORK

200 Lexington Ave. Suite 1210. New York, NY 10016
212.684.0070 Fax. 212.684.0776 www.dennismiller.com

Purcell Design reserves the right to make technological and aesthetic improvements to its models, including changes to the sizes and materials, without notice. The technical drawings do not define the details of the product. The measurements shown are indicative and may undergo changes. In particular, the dimensions relevant to the padded parts are subject to usage tolerances over time caused by the normal adjustment of the padding. For specific information, please contact us directly or the dealer closest to you.