



Corinne Side Chair



Corinne Arm Chair

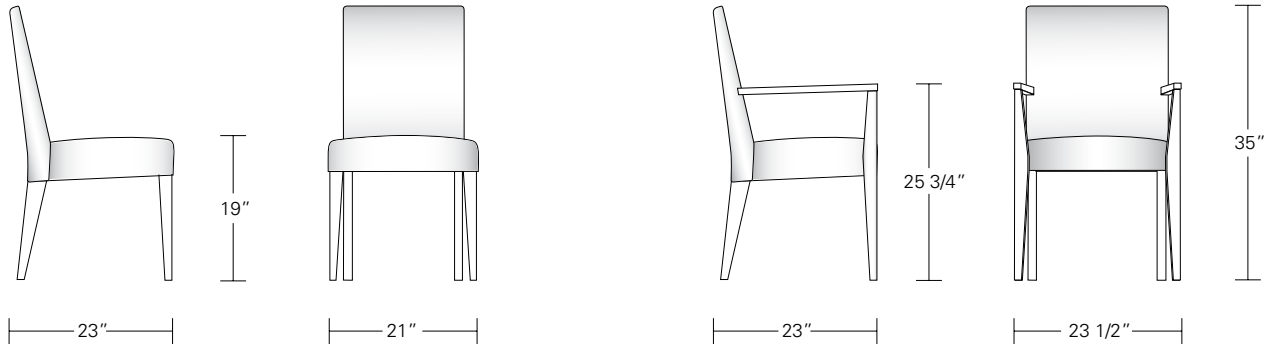


**CORINNE CHAIR**

**23 1/2W x 23D x 35H**

Shown in Cerused Walnut and COM.

Corinne Chairs—the ultimate expression of comfortable seating. The chair's gently curved back and its plush seat provide a truly pleasing sitting experience. Available in a variety of woods and finishes.



**Corinne Side Chair**

21"W x 23"D x 35"H

COM 1 1/2 yards plain fabric 54" wide  
COL 27 sqft

**Corinne Arm Chair**

23 1/2"W x 23"D x 35"H

COM 1 1/2 yards plain fabric 54" wide  
COL 27 sqft

| DESCRIPTION   |                                 | FINISH OPTIONS  |   |  |
|---|---------------------------------|---|---|--|
| <p><b>Corinne Chair:</b><br/>Solid wood frame with upholstered seat and back.</p> <p><b>Standard Options:</b><br/>COM or COL .</p> <p><b>Custom Orders:</b><br/>Custom sizes, woods and finishes are available. Please request a price quotation.</p> | <p><b>Standard Finishes</b></p> | <p><b>NATURAL</b></p> <p>Ash, Cherry, Mahogany, Maple, Walnut, Claro Toned Walnut, Oak.*</p>  | <p><b>STAINED</b></p> <p>Medium Ash, Dark Ash, Burnt Ash, Ebonized Ash, Medium Cherry, Dark Cherry, Medium Mahogany, Medium Walnut, Dark Walnut, Ebonized Walnut, Grey Walnut, Silver Walnut.</p> | <p><b>CERUSED</b></p> <p>Bleached Ash, Cerused Ash, Cerused Burnt Ash, Cerused Dark Ash, Cerused Mahogany, Cerused Dark Mahogany, Bleached Walnut, Cerused Walnut, Cerused Grey Walnut, Cerused Silver Walnut, Cerused Oak*.</p> |
|   |                                 | <p><b>FABRIC AND LEATHER REQUIREMENTS</b></p> <p><b>COM:</b> 1 1/2 yards for arm chair or side chair. 54" wide plain fabric. Repeats and fabric less than 54" wide may require additional yardage.</p> <p><b>COL:</b> 27 square feet for arm chair or side chair. Hides need to be 50-55 square feet. Smaller hides may require additional square feet.</p> |   |  |