



Shown: Deep brown oxide and Opal white glass.

RADIAL SUSPENSION

MODEL NUMBER

1220

DESCRIPTION

Kiln formed outer glass shade, mold blown inner glass diffuser, copper hardware and ceiling plate. Ball chain or cable suspension.

FINISH

Deep brown oxide, Deep black oxide, or Satin Nickel.

KILN FORMED/BLOWN GLASS

Outer glass: Clear*, Opal white, Pale gold*, Sand* or Seeded opal.

Inner diffuser: Opal white or Clear*.
(Inside acid etch).

DIMENSIONS	MIN OAL	NET WT
1220.20		
20"Ø x 9"H	13" Min. OAL	20 lbs.
Ceiling plate: 5.5"Ø x .25"D		
Diffuser: 6"Ø		

1220.26		
26"Ø x 12"H	16" Min. OAL	28 lbs.
Ceiling plate: 5.5"Ø x .25"D		
Diffuser: 6"Ø		

1220.32		
32"Ø x 14.5"H	20" Min. OAL	35 lbs.
Ceiling plate: 8"Ø x .25"D		
Diffuser: 10"Ø		

VOLTAGE / LAMP TYPE

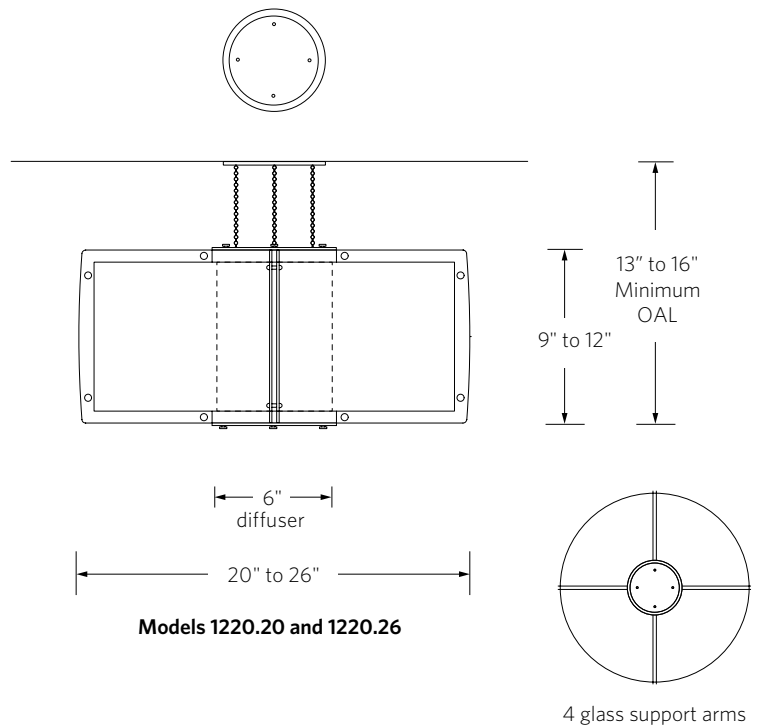
120V, 17W, E26 base, A21 LED lamp, frosted.
2,700°K, 92 CRI, 1,600 lumens.

CA Title 24-JA8-2016

PLEASE SPECIFY

Finish, shade color and OAL (net price includes ball chain or cable for an OAL of up to 48"). Refer to price book for additional ball chain or cable length. OAL can be adjusted in the field at installation.

5.5"Ø ceiling plate



8"Ø ceiling plate

